

BUILT-IN ROLLBACK CHAFERS

3 Position Cover
4 Standard Finishes
4 Hardware Styles
Electric
Made in USA

2 GALLON OBLONG

Legion's superior new design technology (patent-pending) enhances your presentation, operation and ambiance of your dining room. Reflecting the high quality construction of the entire Legion family of products, the Quiet Rollback Cover opens easily to a 90° or 180° position - perfect for convenient service from both sides of the buffet. Food pans exchange easily with no stops to move or adjust. All welded, seamless construction gives a highly polished presentation and lasting durability. The Quiet Rollback Chafer is available in all hardware styles.



The quiet rollback chafer shown with Classic Lion Hardware, stainless steel mirror finish and electric heat source

| Feature | Operator Benefit | Guest Benefit |
|---|---|--|
| The Quiet Rollback Cover holds in 3 stable positions (closed, 90°, 180°) without need to remove or release any mechanical devices. | <ul style="list-style-type: none"> •Easy to clean and open. Unsightly and dirty nuts, bolts and crevices are eliminated. •180° opening allows simple exchange of food pans and provides ability for two sided buffet service. | <ul style="list-style-type: none"> •Only one hand needed for plate while other hand opens cover and easily dishes up food. •Clean and appealing ambiance presents an inviting display. |
| Cover easily removes from frame without tools. Rosettes and handles are silver-soldered to the cover for a smooth finish eliminating cracks and crevices. | <ul style="list-style-type: none"> •Eliminates concern that food and bacteria can easily become trapped. •Easily removes for cleaning - No screws or bolts to clean around. | <ul style="list-style-type: none"> •Wholesome, hygienic, inviting venue. •No unsightly loose parts which may fall into food! |
| Welded frame is sturdy and seamless. | <ul style="list-style-type: none"> •Carrying in/out to buffet - will not break or deform. •Eliminates concern for food and bacteria becoming trapped. •Spills easy to clean, before, during and after events. •Significantly extends useful life of chafer. | <ul style="list-style-type: none"> •Attractive and appealing appearance. •Keeps dining experience pleasurable. •Robust construction means it works easily and effortlessly! |
| Side trunnions eliminated. | <ul style="list-style-type: none"> •Allows for more chafers on a table with better space utilization and an attractive presentation. | Means more food to choose from! |



Classic Lion



Classic Traditional



Luxor



Rome



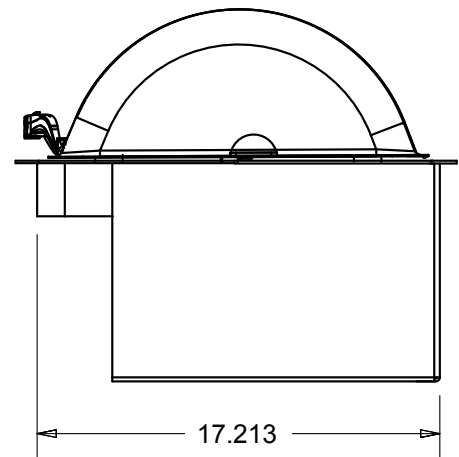
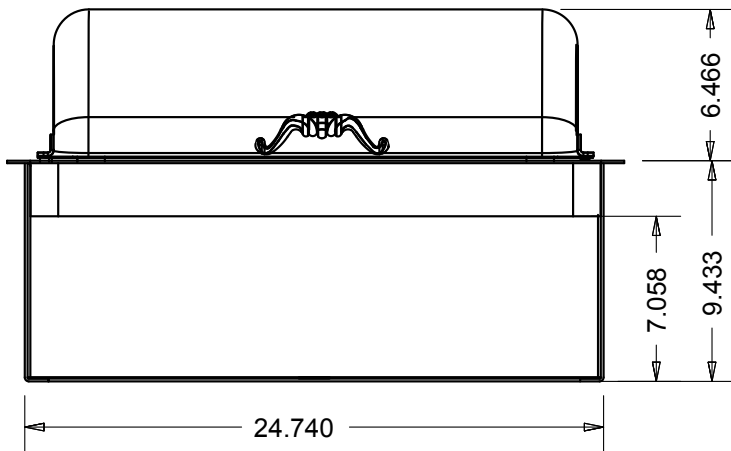
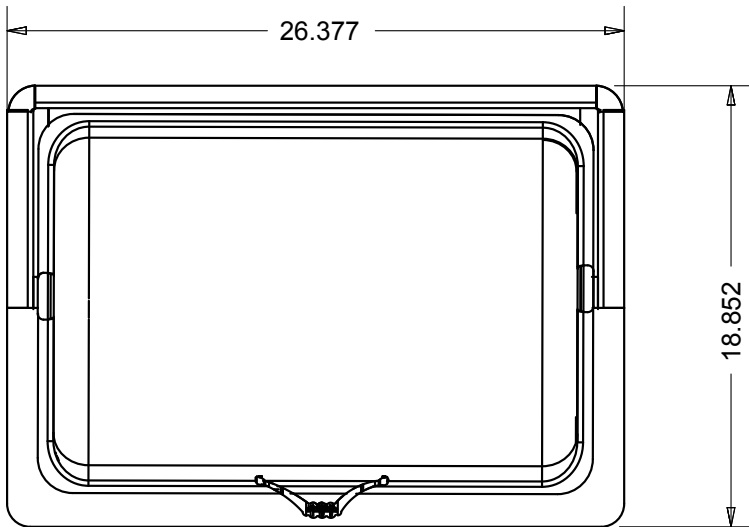
LEGION

Legion Industries, Inc. Post Office Box F, Dallas, PA 18612, (800) 833-9803, (570) 675-1595
FAX: (570) 675-7551, www.legionindustries.com, sales@legionindustries.com

2 GALLON OBLONG

3 Position Cover
4 Standard Finishes
4 Hardware Styles
Electric
Made in USA

BUILT-IN ROLLBACK CHAFERS



Available Finishes

Stainless - the 304 stainless lid is polished to a mirror finish. The solid brass handle on the lid is polished to a mirror finish to accent the stainless steel.

Copper - the 304 stainless lid is plated on the exterior and polished to a mirror finish. The solid brass handle on the lid is polished to a mirror finish to accent the copper plating and stainless frame.

Brass - the 304 stainless lid is plated on the exterior and polished to a mirror finish. The solid brass handle on the lid is polished to a mirror finish to accent the brass plating and stainless frame.

Silver - the 304 stainless lid is plated on the exterior and polished to a mirror finish. The solid brass handle on the lid is silver plated and polished to a mirror finish.

Suggested countertop cut-out - 24.75" x 17.375

| Finish | Fuel Source | Classic Traditional Hardware Style | Classic Lion Hardware Style | Luxor Hardware Style | Rome Hardware Style |
|-----------|-------------|------------------------------------|-----------------------------|----------------------|---------------------|
| Stainless | Electric | A2G708B | B2G708B | F2G708B | E2G708B |
| Copper | Electric | A1G708B | B1G708B | F1G708B | E1G708B |
| Brass | Electric | A7G708B | B7G708B | F7G708B | E7G708B |
| Silver | Electric | A4G708B | B4G708B | F4G708B | E4G708B |

Revision 303

Legion equipment is built to comply with applicable standards for manufacturers. Approval agencies may include: ASME, NSF, UL, ETL, AGA, CSA, CGA, and others. Legion reserves the right of design improvement or modification as warranted.



Legion Industries, Inc. Post Office Box F, Dallas, PA 18612, (800) 833-9803, (570) 675-1595
 FAX: (570) 675-7551, www.legionindustries.com, sales@legionindustries.com