

TABLETOP ROLLBACK CHAFERS

3 Position Cover
4 Standard Finishes
4 Hardware Styles
Can Fuel or Electric
Made in USA

2 GALLON OBLONG

Legion's superior new design technology (patent-pending) enhances your presentation, operation and ambiance of your dining room. Reflecting the high quality construction of the entire Legion family of products, the Quiet Rollback Cover opens easily to a 90° or 180° position - perfect for convenient service from both sides of the buffet. Food pans exchange easily with no stops to move or adjust. All welded, seamless construction gives a highly polished presentation and lasting durability. The Quiet Rollback Chafer is available in all hardware styles.



The quiet rollback chafer shown with Classic Lion Hardware, copper plated mirror finish and can fuel heat source

Feature	Operator Benefit	Guest Benefit
The Quiet Rollback Cover holds in 3 stable positions (closed, 90°, 180°) without need to remove or release any mechanical devices.	<ul style="list-style-type: none"> •Easy to clean and open. Unsightly and dirty nuts, bolts and crevices are eliminated. •180° opening allows simple exchange of food pans and provides ability for two sided buffet service. 	<ul style="list-style-type: none"> •Only one hand needed for plate while other hand opens cover and easily dishes up food. •Clean and appealing ambiance presents an inviting display.
Cover easily removes from frame without tools. Rosettes and handles are silver-soldered to the cover for a smooth finish eliminating cracks and crevices.	<ul style="list-style-type: none"> •Eliminates concern that food and bacteria can easily become trapped. •Easily removes for cleaning - No screws or bolts to clean around. 	<ul style="list-style-type: none"> •Wholesome, hygienic, inviting venue. •No unsightly loose parts which may fall into food!
Welded frame is sturdy and seamless.	<ul style="list-style-type: none"> •Carrying in/out to buffet - will not break or deform. •Eliminates concern for food and bacteria becoming trapped. •Spills easy to clean, before, during and after events. •Significantly extends useful life of chafer. 	<ul style="list-style-type: none"> •Attractive and appealing appearance. •Keeps dining experience pleasurable. •Robust construction means it works easily and effortlessly!
Side trunnions eliminated.	<ul style="list-style-type: none"> •Allows for more chafers on a table with better space utilization and an attractive presentation. 	Means more food to choose from!



Classic Lion

Classic Traditional

Luxor

Rome



LEGION

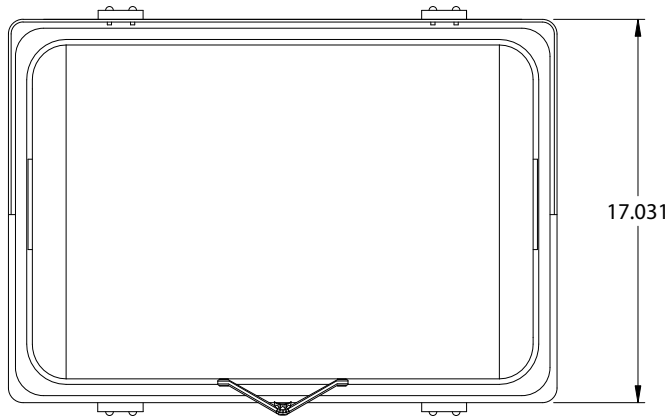
Legion Industries, Inc. Post Office Box F, Dallas, PA 18612, (800) 833-9803, (570) 675-1595

FAX: (570) 675-7551, www.legionindustries.com, sales@legionindustries.com

2 GALLON OBLONG

3 Position Cover
4 Standard Finishes
4 Hardware Styles
Can Fuel or Electric
Made in USA

TABLETOP ROLLBACK CHAFERS



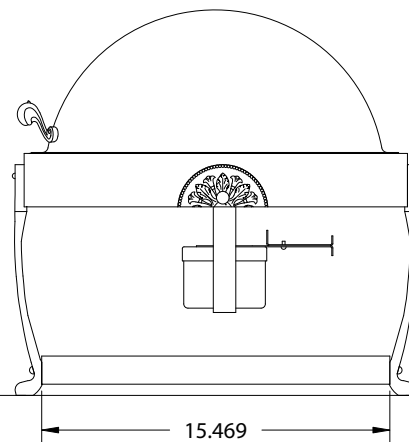
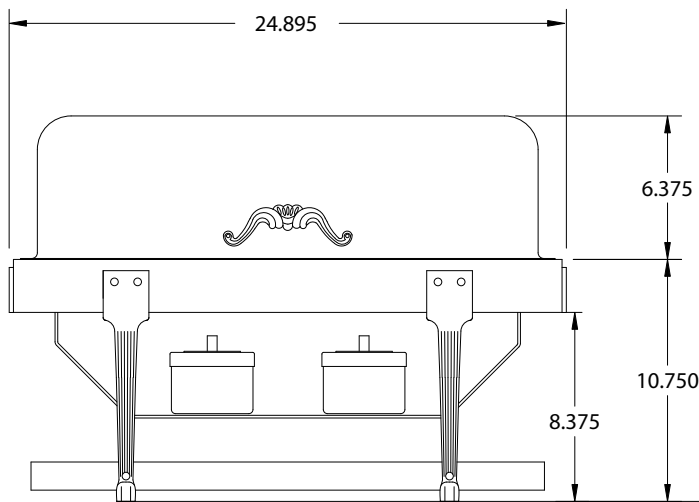
Available Finishes

Stainless - the 304 stainless lid is polished to a mirror finish. The solid brass rosettes and handle on the lid and the solid brass legs are polished to mirror finish to accent the stainless steel.

Copper - the 304 stainless lid is plated on the exterior and polished to a mirror finish. The solid brass rosettes and handle on the lid and the solid brass legs are polished to mirror finish to accent the copper plating and stainless frame. The can fuel holder is copper plated.

Brass - the 304 stainless lid is plated on the exterior and polished to a mirror finish. The solid brass rosettes and handle on the lid and the solid brass legs are polished to mirror finish to accent the brass plating and stainless frame. The can fuel holder is brass plated.

Silver - the 304 stainless lid is plated on the exterior and polished to a mirror finish. The solid brass rosettes and handle on the lid and the solid brass legs are silver plated and polished to a mirror finish. The can fuel holder is stainless polished to a mirror finish.



Finish	Fuel Source	Classic Traditional Hardware Style	Classic Lion Hardware Style	Luxor Hardware Style	Rome Hardware Style
Stainless	Can Fuel	A2G608E	B2G608E	F2G608E	E2G608E
Copper	Can Fuel	A1G608E	B1G608E	F1G608E	E1G608E
Brass	Can Fuel	A7G608E	B7G608E	F7G608E	E7G608E
Silver	Can Fuel	A4G608E	B4G608E	F4G608E	E4G608E
Stainless	Electric	A2G608B	B2G608B	F2G608B	E2G608B
Copper	Electric	A1G608B	B1G608B	F1G608B	E1G608B
Brass	Electric	A7G608B	B7G608B	F7G608B	E7G608B
Silver	Electric	A4G608B	B4G608B	F4G608B	E4G608B

Revision 303

Legion equipment is built to comply with applicable standards for manufacturers. Approval agencies may include: ASME, NSF, UL, ETL, AGA, CSA, CGA, and others. Legion reserves the right of design improvement or modification as warranted.



LEGION

Legion Industries, Inc. Post Office Box F, Dallas, PA 18612, (800) 833-9803, (570) 675-1595

FAX: (570) 675-7551, www.legionindustries.com, sales@legionindustries.com