

Insulated Self-Contained Kettle

Electric, 2/3 Jacketed
Insulated for Safety™
Deep Drawn Construction
Stationary, Floor Mounted
Made in USA

Model LEC/HEC

Standard Features



Model LEC-60

- ◆ The Legion 316L Kettle System
 - ◇ 316L stainless liner
 - ◇ 316 stainless draw-off tube and welds
 - ◇ 316 stainless 2" compression draw-off
- ◆ 304L stainless kettle jacket
- ◆ Kettle protection system
 - ◇ Thermostat temperature control, 150°F - 260°F
 - ◇ Pressure relief valve
 - ◇ Air eliminator valve
 - ◇ Pressure gauge
 - ◇ Jacket-water fill
 - ◇ Automatic low water cut off and indicator light
- ◆ Full body insulation between kettle jacket and outer casing
- ◆ 304 stainless outer casing seam welded to radius lip
- ◆ 304 stainless, seam welded control console
- ◆ 304 stainless, one piece, domed cover, actuator-assisted on 50 - 125 gallon
- ◆ Perforated disc strainer, 1/4" holes
- ◆ Adjustable bullet feet

Legion equipment is built to comply with applicable standards for manufacturers. Approval agencies may include ASME, NSF, UL, ETL, AGA, CSA, CGA and others. Legion reserves the right of design improvement or modification as warranted.

Models and Capacities

LEC-20	20 gal.	(76 l.)
HEC-20	20 gal.	(76 l.)
LEC-30	30 gal.	(114 l.)
HEC-30	30 gal.	(114 l.)
LEC-40	40 gal.	(151 l.)
HEC-40	40 gal.	(151 l.)
LEC-60	60 gal.	(227 l.)
HEC-60	60 gal.	(227 l.)
LEC-80	80 gal.	(303 l.)
HEC-80	80 gal.	(303 l.)

Select draw-off valve: 2" 3"
 With: compression ball type fitting
 See price list for other draw-off options.
 Select Voltage: 208V 240V 380V
 415V 440V 480V

Optional Features and Accessories

See price list for supplemental information regarding options

Faucet Options:

- Single or dual faucet with bracket & 12" or 18" swing nozzle
- 48" flexible spray hose assembly (vinyl or stainless) for dual or single faucet
- Faucet bracket
- Automatic water filling meter

(Call for information regarding additional faucet options)

Prison/Security Options:

- Fasteners (screws & nuts)
- Nut driver tool
- Draw-off nut driver tool
- Screw driver tool
- Lockable control cover
- Lockable lid
- Draw-off protection

Feet:

- Adjustable flanged feet

Other Options:

- Electric timer with buzzer
- Pressure switch
- Mixer/agitator, 2 speed

Accessories:

- Draw-off drain hose
- Measuring strip
- Disc strainer; solid or perforated, 1/8" or 1/4"
- Care kit

Covers:

- Lift-off or 2 piece hinged
- 1 piece actuator-assisted, 20 - 40 gal.

Baskets:

- Single basket, 20 - 40 gal.
- Tri-basket insert
- Nylon bag insert with spreader ring

Revision 0404



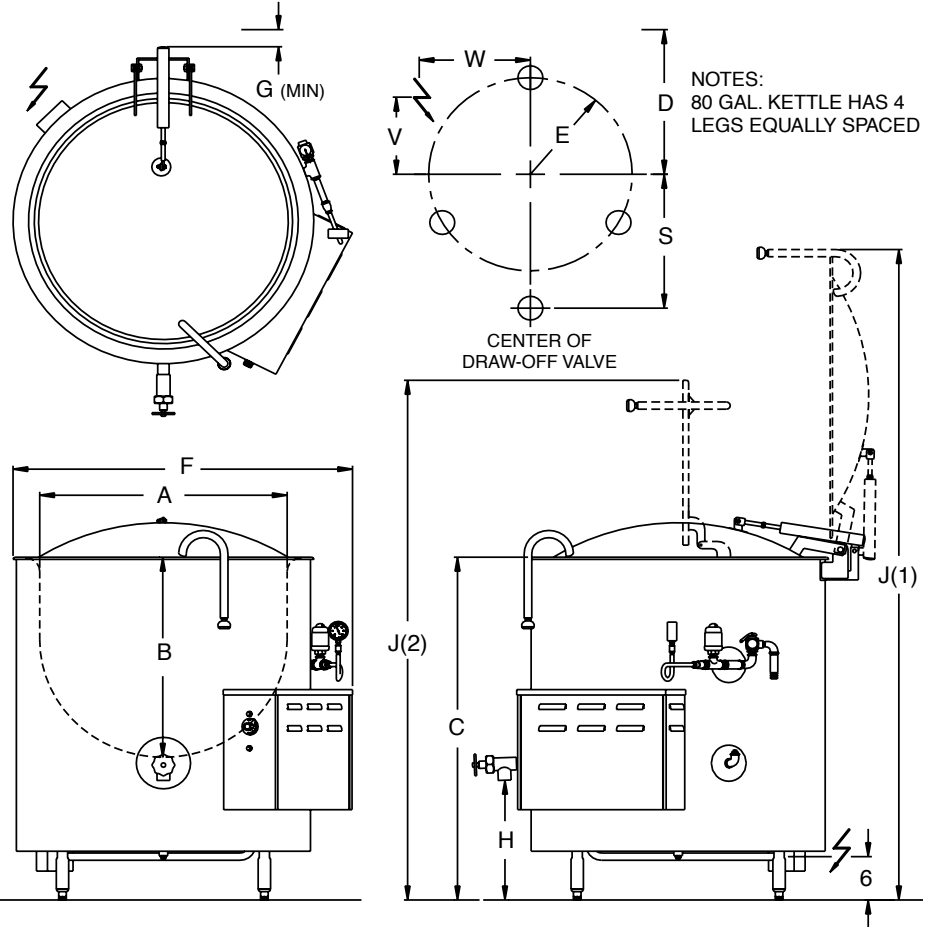
LEGION Legion Industries, Inc. ◆ P. O. Box F ◆ Dallas, PA ◆ 18612 ◆ (800) 833-9803
 (570) 675-1595 ◆ Fax: (570) 675-7551 ◆ www.legionindustries.com ◆ sales@legionindustries.com

Model LEC/HEC

Electric, 2/3 Jacketed
Insulated for Safety™
Deep Drawn Construction
Stationary, Floor Mounted
Made in USA

Insulated Self- Contained Kettle

DRAWING REPRESENTS 80 GALLON MODEL



**MODEL LEC/HEC
DIMENSIONS**

Gal	20	30	40	60	80
A	22.0	23.0	25.5	29.5	32.5
B	16.0	20.3	22.3	25.0	27.6
C	32.4	37.6	39.9	44.0	46.9
D	22.0	22.6	24.3	26.1	28.0
E	13.5	13.9	15.3	17.3	18.8
F	34.0	35.0	37.4	41.4	44.4
G	4.0	4.0	4.0	4.0	4.0
H	12.9	14.3	14.0	15.4	15.6
J(1)	64.3	70.4	75.0	83.0	89.4
J(2)	49.5	55.8	59.6	66.1	71.0
S	16.5	17.0	18.3	20.3	21.8
V	11.5	11.9	12.9	14.3	15.4
W	11.5	11.9	12.9	14.3	15.4

Model LEC Electrical Specifications (Amperes per Leg)

Gal	KW	208 Volt		240 Volt		380 Volt		415 Volt		440 Volt		480 Volt	
		1Ø	3Ø	1Ø	3Ø	1Ø	3Ø	1Ø	3Ø	1Ø	3Ø	1Ø	3Ø
20	9	43.3	25.0	37.5	21.7	23.7	13.7	21.7	12.5	20.5	11.8	18.8	10.8
30	12	57.7	33.3	50.0	28.9	31.6	18.2	28.9	16.7	27.3	15.7	25.0	14.4
40	15	72.1	41.6	62.5	36.1	39.5	22.8	36.1	20.9	34.1	19.7	31.3	18.0
60	24	115.4	66.6	100.0	57.7	63.2	36.5	57.8	33.4	54.5	31.5	50.0	28.9
80	30	144.2	83.3	125.0	72.2	78.9	45.6	72.3	41.7	68.2	39.4	62.5	36.1

Model HEC Electrical Specifications (Amperes per Leg)

Gal	KW	208 Volt		240 Volt		380 Volt		415 Volt		440 Volt		480 Volt	
		1Ø	3Ø	1Ø	3Ø	1Ø	3Ø	1Ø	3Ø	1Ø	3Ø	1Ø	3Ø
20	12	57.7	33.3	50.0	28.9	31.6	18.2	28.9	16.7	27.3	15.7	25.0	14.4
30	24	115.4	66.6	100.0	57.7	63.2	36.5	57.8	33.4	54.5	31.5	50.0	28.9
40	24	115.4	66.6	100.0	57.7	63.2	36.5	57.8	33.4	54.5	31.5	50.0	28.9
60	36	173.1	99.9	150.0	86.6	94.7	54.7	86.7	50.1	81.8	47.2	75.0	43.3
80	36	173.1	99.9	150.0	86.6	94.7	54.7	86.7	50.1	81.8	47.2	75.0	43.3

0404

