

Direct Steam Kettle

2/3 Jacketed
Deep Drawn Construction
Stationary, Floor Mounted
Made in USA

Model LTCR

Standard Features



Model LTCR-60 shown with custom dispensing faucet

- ◆ The Legion 316L Kettle System
 - ◇ 316L stainless liner
 - ◇ 316 stainless draw-off tube and welds
 - ◇ 316 stainless 1.5" compression draw-off
- ◆ 304L stainless kettle jacket
- ◆ 304 stainless leg socket supports, welded to jacket
- ◆ 304 stainless legs provided with reinforced bracing
 - ◇ 3 legs for 40 - 60 gallon, 1 5/8" diameter
 - ◇ 4 legs for 80 - 150 gallon, 2" diameter
- ◆ 30 psi operating pressure up to 125 gallon; 25 psi for 150 gallon
- ◆ 304 stainless, seam welded control console
- ◆ 304 stainless, one piece, domed cover
- ◆ Recirculating pump with automatic timer and manual control
- ◆ Graduated, break-resistant coffee level sight glass
- ◆ Gridded riser basket with canvas coffee bag and stainless spreader ring
- ◆ Bag removal hoist
- ◆ Water fill connection
- ◆ Adjustable flanged feet

Legion equipment is built to comply with applicable standards for manufacturers. Approval agencies may include ASME, NSF, UL, ETL, AGA, CSA, CGA and others. Legion reserves the right of design improvement or modification as warranted.

Models and Capacities

Optional Features and Accessories

See price list for supplemental information regarding options

LTCR-40	40 gal.	(151 l.)
LTCR-60	60 gal.	(227 l.)
LTCR-80	80 gal.	(303 l.)
LTCR-100	100 gal.	(379 l.)
LTCR-125	125 gal.	(473 l.)
LTCR-150	150 gal.	(568 l.)

Prison/Security:

- _ Draw-off protection package
- _ Fasteners (*screws & nuts*)
- _ Nut driver tool
- _ Screw driver tool
- _ Lockable lid
- _ Lockable control cover

Other Options:

- _ Pressure switch
- _ Elevated draw-off faucet 1/2"
- _ Water supply plumbing assembly
- _ Stainless mesh cloth coffee filter
- _ Remote coffee fill

Accessories:

- _ Draw-off drain with 6 foot hose
- _ Cloth coffee bag insert with stainless spreader ring
- _ Care kit

PUMP MOTOR OPTIONS

Voltage	φ Phase	Amps	H.P.
115	1	5.2	1/3
220	1	3.2	1/3
230	1	2.6	1/3
208	3	1.4	1/3
230	3	1.2	1/3
460	3	.6	1/3

Revision 404



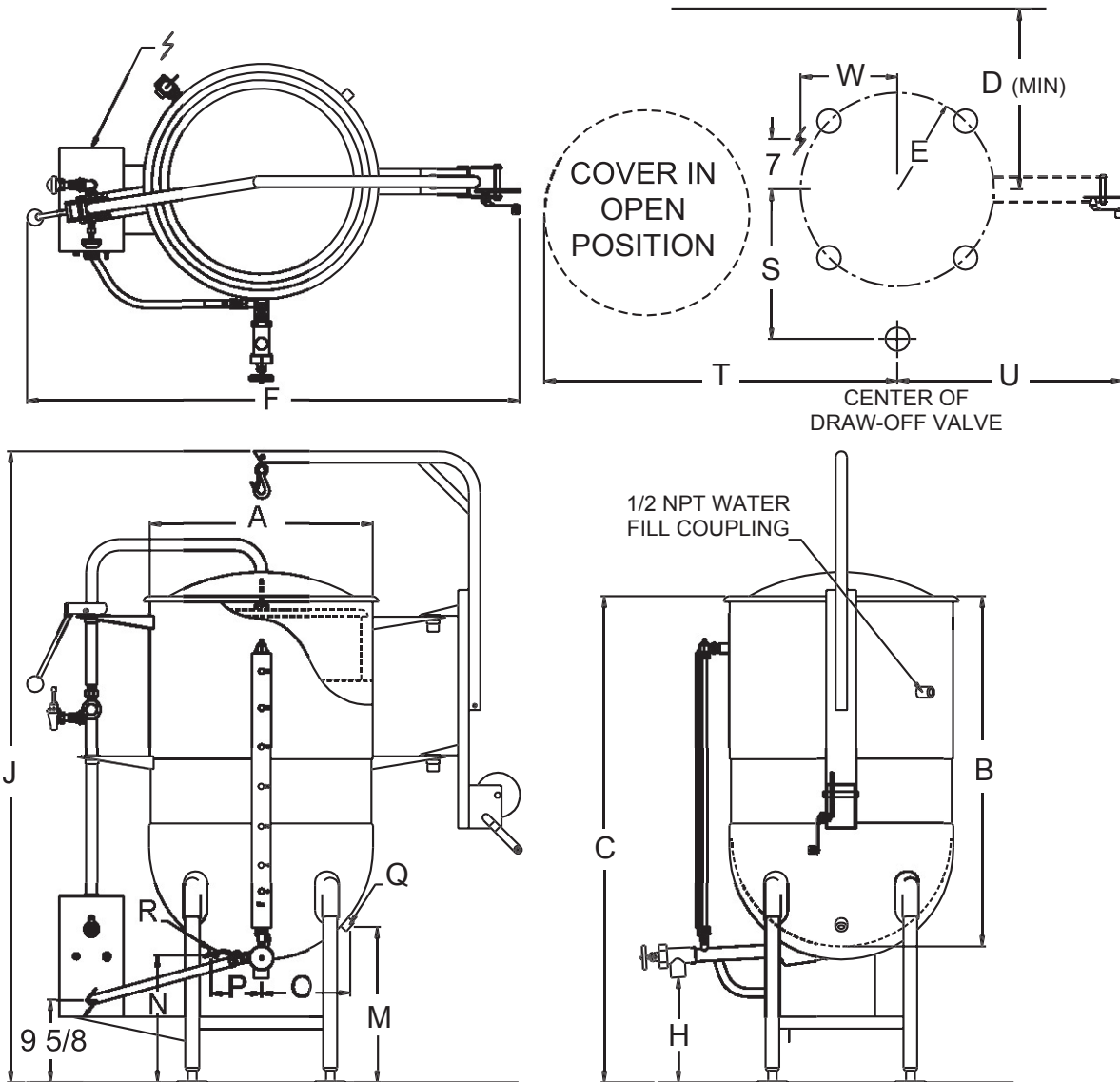
LEGION Legion Industries, Inc. ◆ P. O. Box F ◆ Dallas, PA ◆ 18612 ◆ (800) 833-9803
(570) 675-1595 ◆ Fax: (570) 675-7551 ◆ www.legionindustries.com ◆ sales@legionindustries.com

Model LTCR

2/3 Jacketed
Deep Drawn Construction
Stationary, Floor Mounted
Made in USA

Direct Steam Kettle

DRAWING REPRESENTS MODEL LTCR-60 WITH OPTIONAL ELEVATED SWING FAUCET



MODEL LTCR DIMENSIONS

Gal.	A	B	C	D	E	F	H	J	M	N	O	P	Q	R	S	T	U	W
40	23.0	35.5	51.3	18.6	12.5	54.6	12.5	68.3	17.0	14.6	8.5	5.3	.75	.50	17.0	49.1	28.9	18.4
60	25.5	40.5	56.3	19.9	14.2	58.0	12.5	73.3	18.0	14.6	10.4	5.6	.75	.50	18.4	52.9	30.1	19.6
80	29.5	41.5	58.3	26.9	15.0	59.0	12.5	74.3	18.5	15.8	10.8	6.4	.75	.50	20.4	58.9	32.1	21.6
100	32.5	42.5	59.5	28.5	15.0	62.0	12.8	81.0	18.5	15.8	10.8	6.4	1.00	.75	21.5	63.4	33.6	23.1
125	SPECIAL DESIGN AVAILABLE UPON REQUEST																	
150	SPECIAL DESIGN AVAILABLE UPON REQUEST																	

Revision 404



LEGION Legion Industries, Inc. ♦ P. O. Box F ♦ Dallas, PA ♦ 18612 ♦ (800) 833-9803
(570) 675-1595 ♦ Fax: (570) 675-7551 ♦ www.legionindustries.com ♦ sales@legionindustries.com