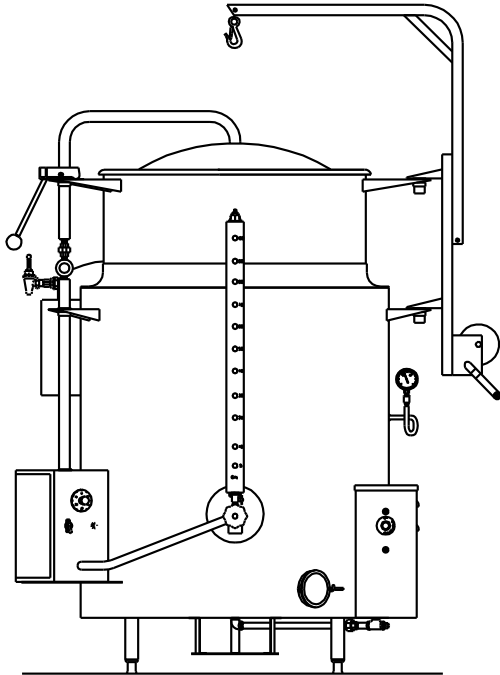


# Insulated Self-Contained Kettle

Gas-Fired, 2/3 Jacketed  
Insulated for Safety™  
Deep Drawn Construction  
Stationary, Floor Mounted  
Made in USA

# Model LTCRG

## Standard Features



Model LTCRG

- ◆ The Legion 316L Kettle System
  - ◇ 316L stainless liner
  - ◇ 316 stainless draw-off tube and welds
  - ◇ 316 stainless 1.5" compression draw-off
- ◆ 304L stainless kettle jacket
- ◆ Kettle protection system
  - ◇ Thermostat temperature control, 150°F - 260°F
  - ◇ Pressure relief valve, 30 psi maximum operating pressure
  - ◇ Air eliminator valve
  - ◇ Pressure gauge
  - ◇ Jacket-water fill and sight glass
  - ◇ Automatic low water cut off and indicator light
  - ◇ Safety pilot control
- ◆ Full body insulation between kettle jacket and outer casing
- ◆ 304 stainless outer casing seam welded to radius lip
- ◆ 304 stainless, seam welded control console
- ◆ 304 stainless, one piece, domed cover
- ◆ Recirculating pump with automatic timer and manual control
- ◆ Graduated, break-resistant coffee level sight glass
- ◆ Gridded riser basket with canvas coffee bag and stainless spreader ring
- ◆ Bag removal hoist
- ◆ Water fill connection
- ◆ Adjustable flanged feet

Legion equipment is built to comply with applicable standards for manufacturers. Approval agencies may include ASME, NSF, UL, ETL, AGA, CSA, CGA and others. Legion reserves the right of design improvement or modification as warranted.

## Models and Capacities

## Optional Features and Accessories

See price list for supplemental information regarding options

LTCRG-40	40 gal.	(151 l.)
LTCRG-60	60 gal.	(227 l.)
LTCRG-80	80 gal.	(303 l.)
LTCRG-100	100 gal.	(379 l.)

### Prison/Security:

- \_ Draw-off protection package
- \_ Fasteners (*screws & nuts*)
- \_ Nut driver tool
- \_ Screw driver tool
- \_ Lockable lid
- \_ Lockable control cover

### Other Options:

- \_ Pressure switch
- \_ Elevated draw-off faucet 1/2"
- \_ Water supply plumbing assembly
- \_ Stainless mesh cloth coffee filter
- \_ Remote coffee fill

### Accessories:

- \_ Draw-off drain with 6 foot hose
- \_ Cloth coffee bag insert with stainless spreader ring
- \_ Care kit

### PUMP MOTOR OPTIONS

Voltage	φ Phase	Amps	H.P.
115	1	5.2	1/3
220	1	3.2	1/3
230	1	2.6	1/3
208	3	1.4	1/3
230	3	1.2	1/3
460	3	.6	1/3

Select Voltage: \_\_120V \_\_208V \_\_240V

Select Phase: \_\_1φ \_\_3φ

Revision 404



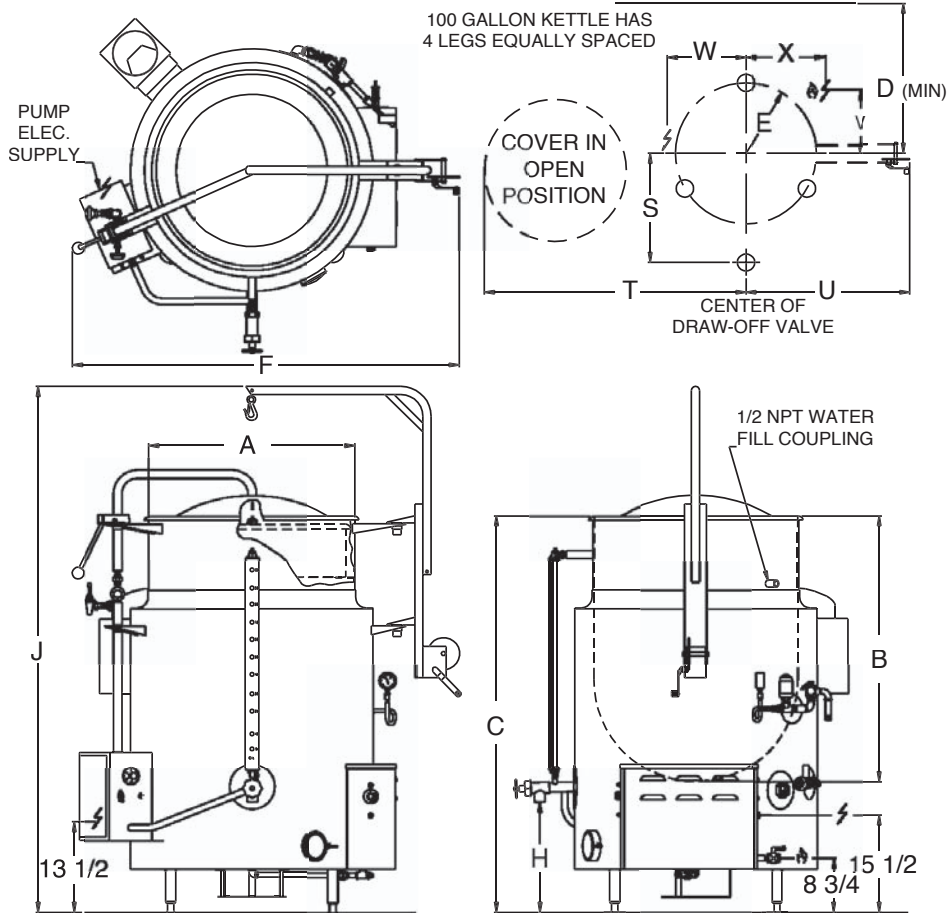
**LEGION** Legion Industries, Inc. ◆ P. O. Box F ◆ Dallas, PA ◆ 18612 ◆ (800) 833-9803  
(570) 675-1595 ◆ Fax: (570) 675-7551 ◆ www.legionindustries.com ◆ sales@legionindustries.com

# Model LTCRG

**Gas-Fired, 2/3 Jacketed  
Insulated for Safety™  
Deep Drawn Construction  
Stationary, Floor Mounted  
Made in USA**

# Insulated Self- Contained Kettle

DRAWING REPRESENTS MODEL LTCRG-100 WITH OPTIONAL ELEVATED SWING FAUCET



### MODEL LTCRG DIMENSIONS

Gal	A	B	C	D	E	F	H	J	S	T	U	V	W	X
40	23.0	35.5	53.8	28.6	13.6	54.6	14.9	70.8	20.0	49.1	28.9	9.6	18.4	16.3
60	25.5	40.5	59.0	31.3	14.9	58.0	15.1	76.0	21.4	52.9	30.1	9.6	19.6	17.4
80	29.5	41.5	60.8	35.3	16.8	59.0	16.1	76.8	23.4	58.9	33.6	12.0	21.6	18.4
100	32.5	42.5	62.5	38.3	18.4	62.0	16.8	84.0	24.5	63.4	33.6	12.0	23.1	19.5

### MODEL LTCRG GAS & ELECTRICAL SPECIFICATIONS

Gal.	Gas Rating - Btu Input		Gas Pressure & Piping Specifications		Electrical
	Natural	Propane	Natural	Propane	
40	120,000	110,000	Piping - 1/2" IPS	Piping - 1/2" IPS	120 Volt (standard) 208/240 Volt (optional) 50/60 Hz 1 phase (1φ) 1 amp
60	125,000	125,000			
80	125,000	125,000	Inlet Pressure Range, 5.0 - 7.0 inches w.c.	Inlet Pressure Range, 12.0 - 14.0 inches w.c.	
100	125,000	125,000	Outlet Pressure Range, 3.5 inches w.c.	Outlet Pressure Range, 10.0 inches w.c.	

Revision 404



**LEGION** Legion Industries, Inc. ♦ P. O. Box F ♦ Dallas, PA ♦ 18612 ♦ (800) 833-9803  
(570) 675-1595 ♦ Fax: (570) 675-7551 ♦ www.legionindustries.com ♦ sales@legionindustries.com