

Insulated Direct Steam Kettle

**2/3 Jacketed
Insulated for Safety™
Deep Drawn Construction
Stationary, Leg Mounted
Made in USA**

Model LTI

STANDARD FEATURES



Model LTI-40

Legion equipment is built to comply with applicable standards for manufacturers. Approval agencies may include ASME, NSF, UL, ETL, AGA, CSA, CGA, and others. Legion reserves the right of design improvement or modification as warranted.

- ◆ The Legion 316 Kettle System
 - ◇ 316L stainless liner
 - ◇ 316 stainless draw-off tube and welds
 - ◇ 316 stainless 2" compression draw-off valve
- ◆ 304L stainless kettle jacket
- ◆ 304 stainless leg socket supports, seam welded to jacket
- ◆ 304 stainless legs provided with reinforcing bracing
 - ◇ 4 legs for 20 - 40 gallon, 1 5/8" diameter
 - ◇ 4 legs for 50 - 125 gallon, 2" diameter
- ◆ Adjustable flanged feet
- ◆ 304 stainless, one piece, domed cover, actuator-assisted on 60 - 125 gallon
- ◆ Full body insulation (3" - 14") between kettle jacket and outer casing
- ◆ 304 stainless outer casing seam welded to the 3" reinforced radius lip
- ◆ Condensate drain and steam supply provided with rear connections
- ◆ Front mounted steam control valve
- ◆ 30 psi operating pressure
- ◆ Perforated disk strainer, 1/4" holes

Models and Capacities

LTI-20	20 gal.	76 l.
LTI-30	30 gal.	114 l.
LTI-40	40 gal.	151 l.
LTI-50	50 gal.	189 l.
LTI-60	60 gal.	227 l.
LTI-80	80 gal.	303 l.
LTI-100	100 gal.	379 l.
LTI-125	125 gal.	473 l.

Optional Features and Accessories

See price list for supplemental information regarding options

Faucet Options:

- _ Single or double fill faucet with bracket & 12" or 18" swing nozzle
- _ 48" flexible spray hose assembly (vinyl or stainless) for use with dual or single fill faucet
- _ Faucet bracket
- _ Automatic water filling meter

(Call for information regarding additional faucet options)

Prison/Security Options:

- _ Fastener (nut for draw-off)
- _ Draw-off nut driver tool
- _ Lockable lid
- _ Draw-off protection
- _ Steam control valve protection

Other Options:

- _ Air eliminator valve
- _ Pressure reducing valve
- _ Connection plumbing parts kit
- _ Mixer/Agitator, 2 speed
- _ Lift-off cover
- _ 1 piece actuator-assisted cover, 20 - 40 gallon
- _ 2 piece hinged cover
- _ Higher operating pressure

Accessories:

- _ Single basket insert, 20 - 40 gallon
- _ Tri-basket insert
- _ Nylon bag insert with spreader ring
- _ Draw-off drain hose
- _ Measuring strip
- _ Perforated disk strainer 1/8" holes
- _ Kettle care kit

Select draw-off valve: 2" 3"

With: compression ball type fitting

See price list for other draw-off options.

Revision 404



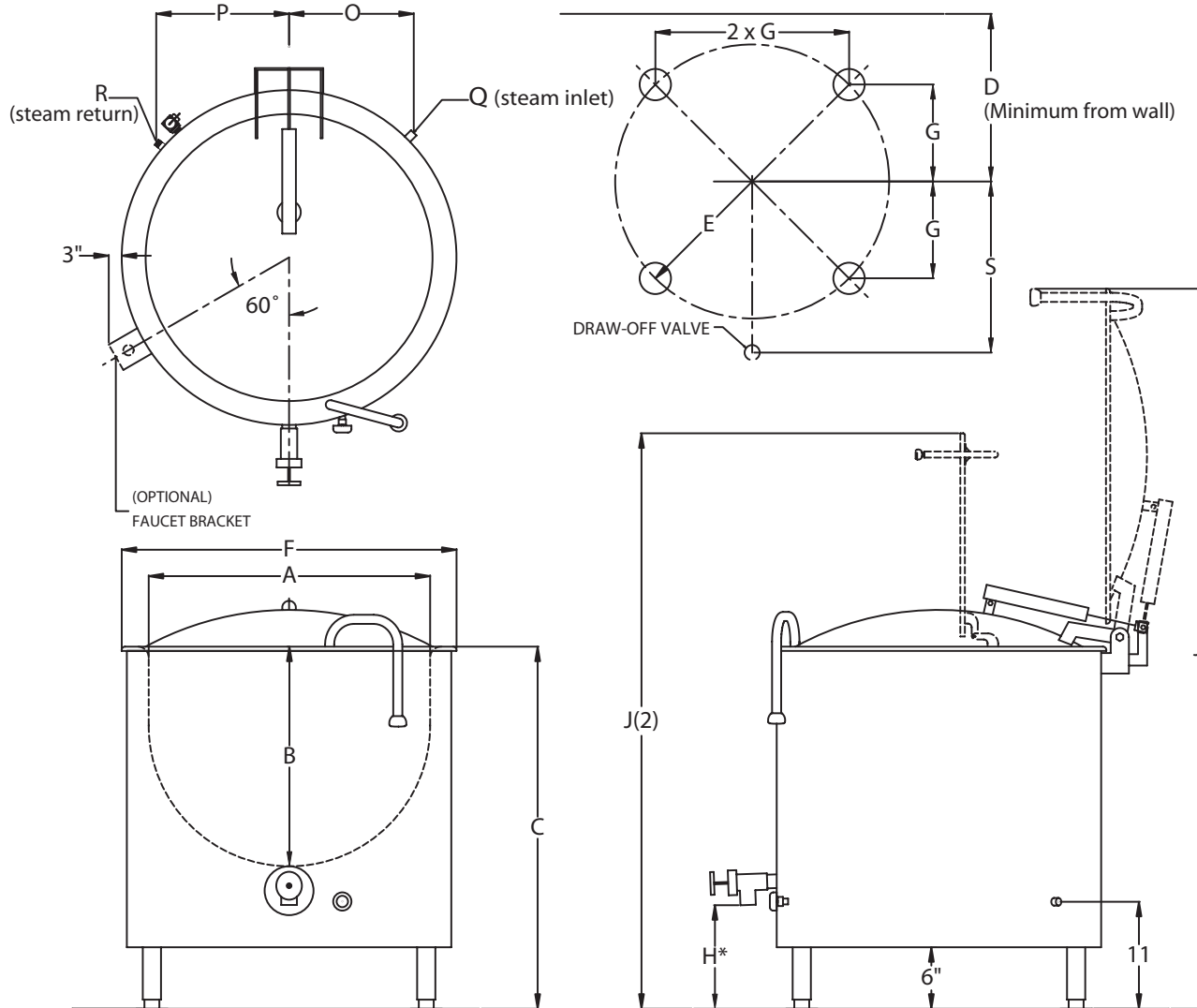
LEGION Legion Industries, Inc. ♦ P.O. Box F ♦ Dallas, PA ♦ 18612 ♦ (800) 833-9803
(570) 675-1595 ♦ Fax: (570) 675-7551 ♦ www.legionindustries.com ♦ sales@legionindustries.com

Model LTI

**2/3 Jacketed
Insulated for Safety™
Deep Drawn Construction
Stationary, Leg Mounted
Made in USA**

Insulated Direct Steam Kettle

DRAWING REPRESENTS MODEL LTI-60



MODEL LTI DIMENSIONS

Gal.	A	B	C	D	E	F	G	H* (2")	H* (3")	J1	J2	O&P	Q	R	S
20	22.0	16.0	31.0	23.1	13.3	28.6	9.4	11.5	10.5	62.6	51.8	9.9	.75	.50	16.5
30	23.0	20.3	35.6	23.6	13.8	29.6	9.7	11.5	10.5	68.2	56.9	10.3	.75	.50	17.0
40	25.5	22.3	36.8	24.8	15.0	32.4	10.6	11.5	10.5	72.2	60.0	11.1	.75	.50	18.3
50	29.5	21.8	36.5	26.8	16.8	36.4	11.9	11.5	10.5	75.9	61.7	12.6	.75	.50	20.3
60	29.5	25.0	39.7	26.8	16.8	36.4	11.9	11.5	10.5	79.1	64.9	12.6	.75	.50	20.3
80	32.5	27.6	43.0	28.3	18.3	39.6	12.9	11.5	10.5	85.6	71.1	13.6	1.00	.75	21.8
100	39.0	25.9	40.7	31.6	21.6	45.7	15.2	11.5	10.5	89.4	72.3	15.9	1.00	.75	25.0
125	44.0	26.3	41.4	34.1	24.1	50.4	17.0	11.5	10.5	94.8	75.3	17.7	1.25	.75	27.5

* "H" dimension varies with draw-off size selection.

Revised 404



LEGION Legion Industries, Inc. ♦ P.O. Box F ♦ Dallas, PA ♦ 18612 ♦ (800) 833-9803
(570) 675-1595 ♦ Fax: (570) 675-7551 ♦ www.legionindustries.com ♦ sales@legionindustries.com