

DIRECT STEAM KETTLE

2/3 JACKETED, STATIONARY
PEDESTAL MOUNTED
DEEP DRAWN CONSTRUCTION
MADE IN USA

MODEL LP

STANDARD FEATURES



Model LP-40

- ◆ **The Legion 316 Kettle System**
 - ◇ 316 stainless liner
 - ◇ 316 stainless draw-off tube and welds
 - ◇ 316 stainless 1 1/2" compression draw-off valve
- ◆ 304 stainless kettle jacket
- ◆ 304 stainless pedestal tube
- ◆ 304 stainless pedestal base
- ◆ 304 stainless, one piece, domed cover, actuator-assisted on 60 - 100 gallon
- ◆ 30 psi operating pressure
- ◆ Perforated disk strainer, 1/4" holes

Legion equipment is built to comply with applicable standards for manufacturers. Approval agencies may include ASME, NSF, UL, ETL, AGA, CSA, CGA, and others. Legion reserves the right of design improvement or modification as warranted.

MODELS AND CAPACITIES			OPTIONAL FEATURES AND ACCESSORIES	
			See price list for supplemental information regarding options	
LP-10	10 gal.	(38 l.)	<input type="checkbox"/> Single or double fill faucet with bracket & 12 or 18" swing nozzle	<input type="checkbox"/> Connection plumbing parts kit
LP-20	20 gal.	(76 l.)	<input type="checkbox"/> 48" flexible spray hose assembly (vinyl or stainless) for use with dual or single fill faucet	<input type="checkbox"/> Draw-off drain hose
LP-30	30 gal.	(114 l.)	<input type="checkbox"/> Faucet bracket	<input type="checkbox"/> Measuring strip
LP-40	40 gal.	(151 l.)	<input type="checkbox"/> Automatic water filling meter	<input type="checkbox"/> Perforated disk strainer 1/8" holes
LP-50	50 gal.	(189 l.)	<i>(Call for information regarding additional faucet options)</i>	<input type="checkbox"/> Kettle care kit
LP-60	60 gal.	(227 l.)	<input type="checkbox"/> Single basket insert, 20 - 40 gallon	<input type="checkbox"/> Mixer/Agitator, 2 speed
LP-80	80 gal.	(303 l.)	<input type="checkbox"/> Tri-basket insert	Prison/Security Options:
LP-100	100 gal.	(379 l.)	<input type="checkbox"/> Nylon bag insert with spreader ring	<input type="checkbox"/> Fastener (<i>nut for draw-off</i>)
Select draw-off valve: <input type="checkbox"/> 1 1/2" <input type="checkbox"/> 2" <input type="checkbox"/> 3" With: <input type="checkbox"/> compression <input type="checkbox"/> ball type fitting See price list for other draw-off options.			<input type="checkbox"/> Lift-off cover	<input type="checkbox"/> Draw-off nut driver tool
			<input type="checkbox"/> 1 piece actuator-assisted cover, 20 - 40 gallon	<input type="checkbox"/> Lockable lid
			<input type="checkbox"/> 2 piece hinged cover	<input type="checkbox"/> Draw-off protection
			<input type="checkbox"/> Higher operating pressure	<input type="checkbox"/> Reinforced bar rim
			<input type="checkbox"/> Air eliminator valve	
			<input type="checkbox"/> Pressure reducing valve	

Revision 999



LEGION® The Finest American Quality Since 1897

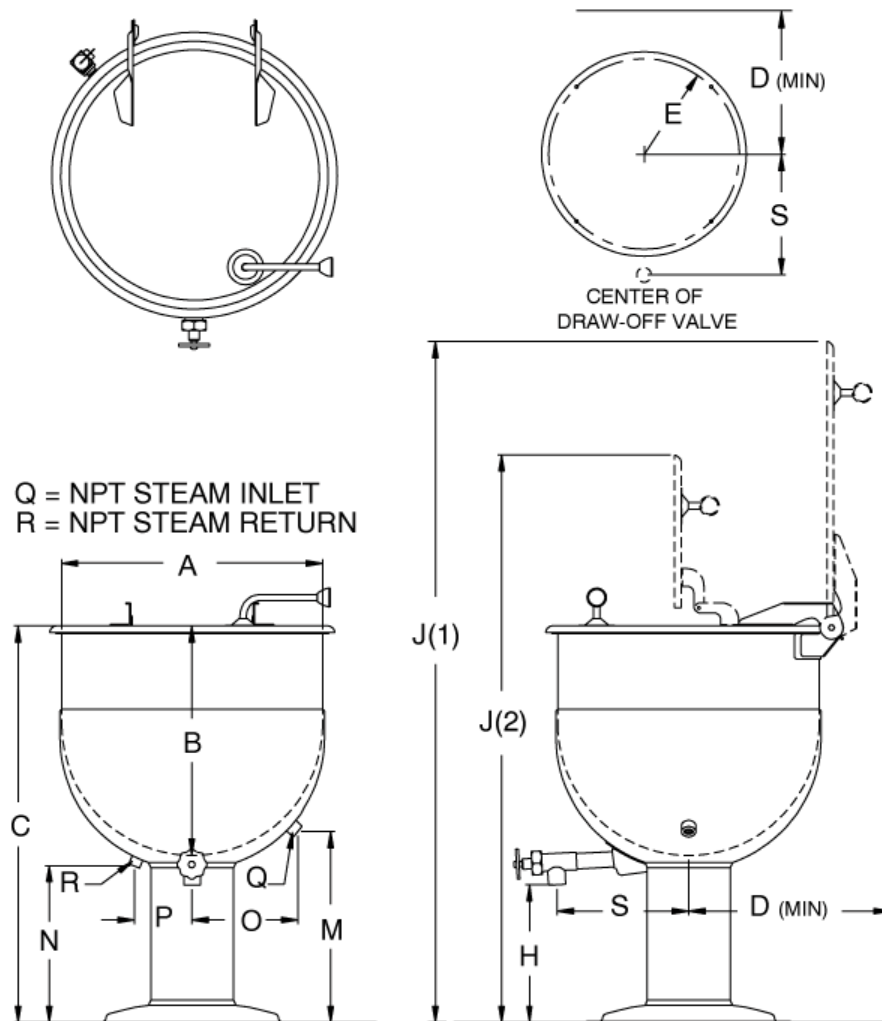
LEGION INDUSTRIES, INC. ♦ 69 MAIN ST. ♦ DALLAS, PA 18612 ♦ (800) 833-9803 ♦ (570) 675-1575 ♦ FAX: (570) 675-7551

MODEL LP

2/3 JACKETED, STATIONARY
PEDESTAL MOUNTED
DEEP DRAWN CONSTRUCTION
MADE IN USA

DIRECT STEAM KETTLE

DRAWING REPRESENTS MODEL LP-40



MODEL LP DIMENSIONS

GAL.	A	B	C*	D	E	H*	J1*	J2*	M	N	O	P	Q	R	S*
10	16.0	14.0	29.5	17.0	8.0	12.6	48.0	41.3	14.6	14.0	5.6	4.6	.75	.50	10.1
20	22.0	16.0	31.0	20.0	7.8	13.5	56.0	46.2	16.7	14.7	7.9	5.0	.75	.50	13.0
30	23.0	20.3	35.6	20.5	7.8	13.9	61.6	51.8	17.3	15.5	8.3	5.0	.75	.50	13.0
40	25.5	22.3	36.8	21.8	9.3	13.0	65.3	54.8	17.4	14.5	9.7	6.0	.75	.50	13.0
50	29.5	21.8	36.5	23.8	9.3	13.3	69.0	60.0	17.6	14.5	10.5	6.0	.75	.50	14.0
60	29.5	25.0	39.7	23.8	9.3	13.2	72.2	63.2	17.6	15.3	10.5	6.0	.75	.50	14.0
80	32.5	27.6	43.0	25.3	11.8	13.9	78.5	67.8	17.9	17.3	10.7	7.5	1.0	.75	14.0
100	39.0	25.9	40.7	28.5	11.8	13.3	82.7	65.6	18.3	16.1	13.0	10.0	1.0	.75	17.8

*Dimensions on these drawings are applicable only when using a 1.5" diameter draw-off valve. If a 2" or 3" diameter draw-off valve is required, contact Legion for applicable dimensions.

Revision 999



LEGION

The Finest American Quality Since 1897

LEGION INDUSTRIES, INC. ♦ 69 MAIN ST. ♦ DALLAS, PA 18612 ♦ (800) 833-9803 ♦ (570) 675-1575 ♦ FAX: (570) 675-7551