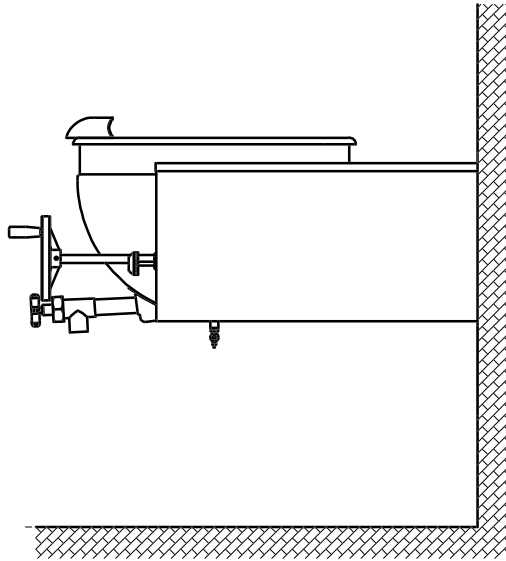


# DIRECT STEAM KETTLE

FULL JACKETED, TILTING  
WALL-CONSOLE MOUNTED  
DEEP DRAWN CONSTRUCTION  
MADE IN USA

# MODEL TWSWC

## STANDARD FEATURES



- ◆ 316 stainless liner
- ◆ 304 stainless kettle jacket
- ◆ 304 stainless, reinforced console boxes
- ◆ Self-locking worm gear tilt mechanism
- ◆ Connection plumbing parts installed in console with rear connection.
- ◆ 30 psi operating pressure up to 80 gallon; 25 psi for 100 gallon

**Model TWSWC**  
shown with optional 1 1/2" draw-off

Legion equipment is built to comply with applicable standards for manufacturers. Approval agencies may include ASME, NSF, UL, ETL, AGA, CSA, CGA, and others. Legion reserves the right of design improvement or modification as warranted.

MODELS AND CAPACITIES			OPTIONAL FEATURES AND ACCESSORIES	
			See price list for supplemental information regarding options	
<b>TWSWC-20</b>	<b>20 gal.</b>	<b>(76 l.)</b>	<input type="checkbox"/> Single or double fill faucet with bracket & 12 or 18" swing nozzle	<input type="checkbox"/> Measuring strip
<b>TWSWC-25</b>	<b>25 gal.</b>	<b>(95 l.)</b>	<input type="checkbox"/> 48" flexible spray hose assembly (vinyl or stainless) for use with dual or single fill faucet	<input type="checkbox"/> Perforated disk strainer 1/8" or 1/4" holes
<b>TWSWC-40</b>	<b>40 gal.</b>	<b>(151 l.)</b>	<input type="checkbox"/> Faucet bracket	<input type="checkbox"/> Kettle care kit
<b>TWSWC-50</b>	<b>50 gal.</b>	<b>(189 l.)</b>	<input type="checkbox"/> Automatic water filling meter <i>(Call for information regarding additional faucet options)</i>	<input type="checkbox"/> Mixer/Agitator, 2 speed
<b>TWSWC-60</b>	<b>60 gal.</b>	<b>(227 l.)</b>	<input type="checkbox"/> Single basket insert, 20 - 40 gallon	<input type="checkbox"/> In-wall carrier for wall mounting
<b>TWSWC-80</b>	<b>80 gal.</b>	<b>(303 l.)</b>	<input type="checkbox"/> Tri-basket insert	
<b>TWSWC-100</b>	<b>100 gal.</b>	<b>(379 l.)</b>	<input type="checkbox"/> Nylon bag insert with spreader ring	<b>Prison/Security Options:</b>
Select draw-off valve: <input type="checkbox"/> 1 1/2" <input type="checkbox"/> 2" <input type="checkbox"/> 3" With: <input type="checkbox"/> compression <input type="checkbox"/> ball type fitting  See price list for other draw-off options.			<input type="checkbox"/> Lift-off cover	<input type="checkbox"/> Fastener (screws & nuts)
			<input type="checkbox"/> 1 piece actuator-assisted cover	<input type="checkbox"/> Nut driver tool
			<input type="checkbox"/> Higher operating pressure	<input type="checkbox"/> Draw-off nut driver tool
			<input type="checkbox"/> Air eliminator valve	<input type="checkbox"/> Screw driver tool
			<input type="checkbox"/> Pressure reducing valve	<input type="checkbox"/> Reinforced bar rim
			<input type="checkbox"/> Draw-off drain hose	
			<input type="checkbox"/> Pour lip pan holder assembly	

Revision 999



**LEGION** The Finest American Quality Since 1897

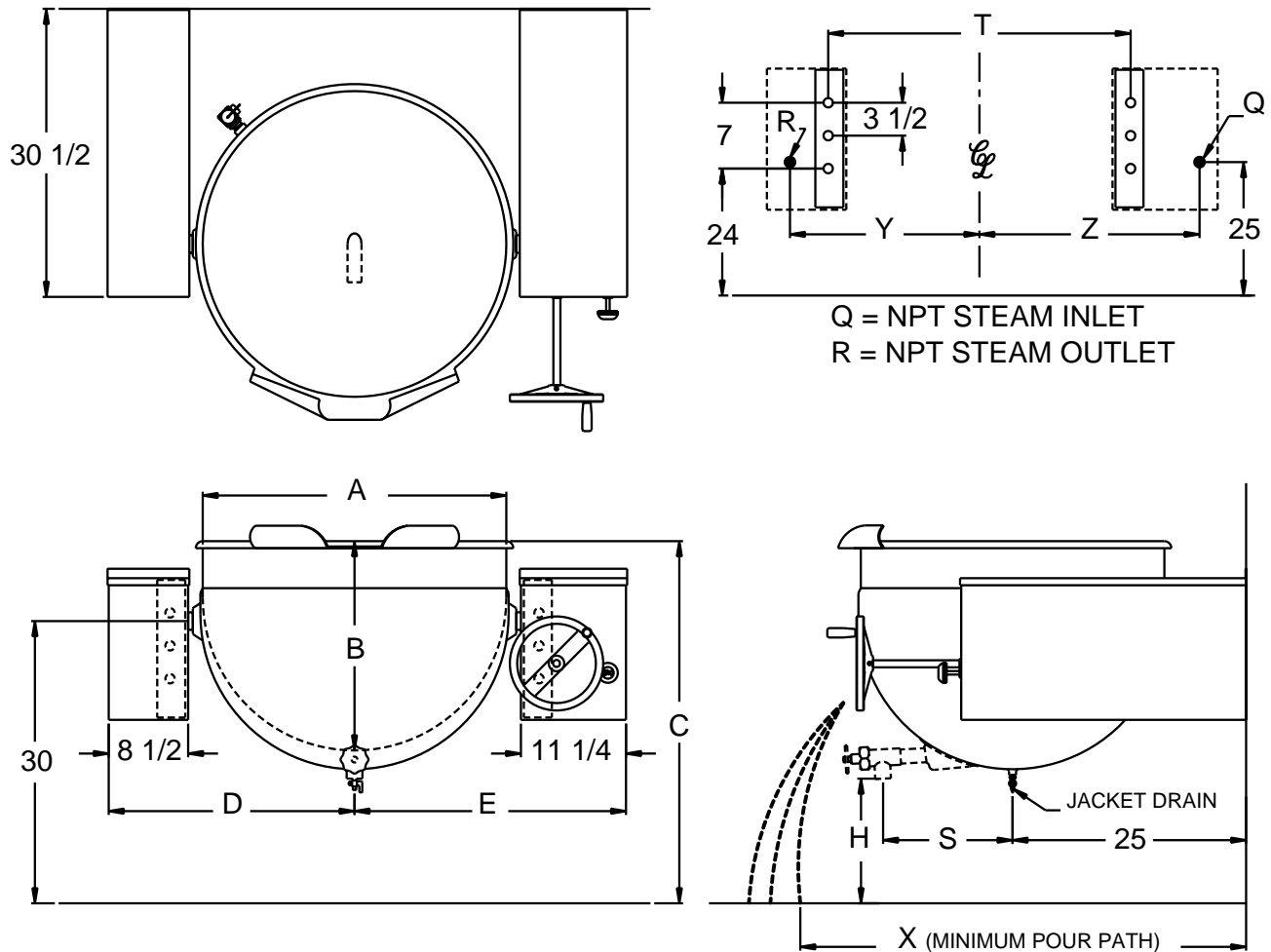
LEGION INDUSTRIES, INC. ♦ 69 MAIN ST. ♦ DALLAS, PA 18612 ♦ (800) 833-9803 ♦ (570) 675-1575 ♦ FAX: (570) 675-7551

# MODEL TWSWC

FULL JACKETED, TILTING  
WALL-CONSOLE MOUNTED  
DEEP DRAW CONSTRUCTION  
MADE IN USA

# DIRECT STEAM KETTLE

DRAWING REPRESENTS MODEL TWSWC-40 WITH OPTIONAL 1 1/2" DRAW-OFF



MODEL TWSWC DIMENSIONS													
GAL.	A	B	C	D	E	H*	Q	R	S*	T	X	Y	Z
20	23.0	15.0	37.0	21.5	24.3	19.5	.75	.50	13.0	29.8	31.0	19.0	22.4
25	25.5	15.5	37.0	22.9	25.7	20.0	.75	.50	13.0	32.5	31.0	20.4	23.8
40	29.5	19.0	37.0	25.1	27.9	15.0	.75	.50	14.0	36.9	31.0	22.6	26.0
50	29.5	21.8	38.0	25.1	27.9	15.0	.75	.75	14.0	36.9	32.0	22.6	26.0
60	32.5	22.3	38.5	26.5	29.3	14.3	.75	.75	14.0	39.6	32.5	24.0	27.4
80	39.0	22.0	38.0	28.9	31.7	13.9	.75	.75	17.8	44.5	32.0	26.4	29.8
100	44.0	22.5	37.8	31.4	34.2	13.0	.75	.75	19.7	49.5	32.8	28.9	32.3

\*Dimensions H & S apply only if an optional 1 1/2" draw-off is ordered. If a 2" or 3" draw-off is required, contact Legion for applicable dimensions.

Revision 999



**LEGION** The Finest American Quality Since 1897

LEGION INDUSTRIES, INC. ♦ 69 MAIN ST. ♦ DALLAS, PA 18612 ♦ (800) 833-9803 ♦ (570) 675-1575 ♦ FAX: (570) 675-7551