

DIRECT STEAM KETTLE

2/3 JACKETED, TILTING
U-FRAME LEG
DEEP DRAWN CONSTRUCTION
MADE IN USA

MODEL TWU

STANDARD FEATURES



Model TWU-40

- ◆ 316 stainless liner
- ◆ 304 stainless kettle jacket
- ◆ 304 stainless, reinforced gear box
- ◆ Self-locking worm gear tilt mechanism
- ◆ 304 stainless, 2" tubular support frame
- ◆ Adjustable flanged feet
- ◆ 30 psi operating pressure

Legion equipment is built to comply with applicable standards for manufacturers. Approval agencies may include ASME, NSF, UL, ETL, AGA, CSA, CGA, and others. Legion reserves the right of design improvement or modification as warranted.

MODELS AND CAPACITIES			OPTIONAL FEATURES	
			See price list for supplemental information regarding options	
TWU-20	20 gal.	(76 l.)	<input type="checkbox"/> Single or double fill faucet with bracket & 12 or 18" swing nozzle	<input type="checkbox"/> Air eliminator valve
TWU-30	30 gal.	(114 l.)	<input type="checkbox"/> 48" flexible spray hose assembly (vinyl or stainless) for use with dual or single fill faucet	<input type="checkbox"/> Pressure reducing valve
TWU-40	40 gal.	(151 l.)	<input type="checkbox"/> Faucet bracket	<input type="checkbox"/> Connection plumbing parts kit
TWU-50	50 gal.	(189 l.)	<input type="checkbox"/> Automatic water filling meter	<input type="checkbox"/> Kettle care kit
TWU-60	60 gal.	(227 l.)	<i>(Call for information regarding additional faucet options)</i>	Prison/Security Options:
TWU-80	80 gal.	(303 l.)	<input type="checkbox"/> Single basket insert, 20 - 40 gallon	<input type="checkbox"/> Reinforced bar rim
TWU-100	100 gal.	(379 l.)	<input type="checkbox"/> Tri-basket insert	<input type="checkbox"/> Fasteners (<i>screws & nuts</i>)
Select draw-off valve: <input type="checkbox"/> 1½" <input type="checkbox"/> 2" <input type="checkbox"/> 3" With: <input type="checkbox"/> compression <input type="checkbox"/> ball type fitting See price list for other draw-off options.			<input type="checkbox"/> Nylon bag insert with spreader ring	<input type="checkbox"/> Nut driver tool
			<input type="checkbox"/> 1 piece lift-off cover	<input type="checkbox"/> Screw driver tool
			<input type="checkbox"/> 1 piece actuator-assisted cover	<input type="checkbox"/> Draw-off nut driver tool
			<input type="checkbox"/> Draw-off drain hose	
			<input type="checkbox"/> Measuring strip	
			<input type="checkbox"/> Perforated disk strainer 1/8" or 1/4" holes	
			<input type="checkbox"/> Pour lip pan holder assembly	
			<input type="checkbox"/> Mixer/agitator, 2 speed	
			<input type="checkbox"/> Higher operating pressure	

Revision 999



LEGION® The Finest American Quality Since 1897

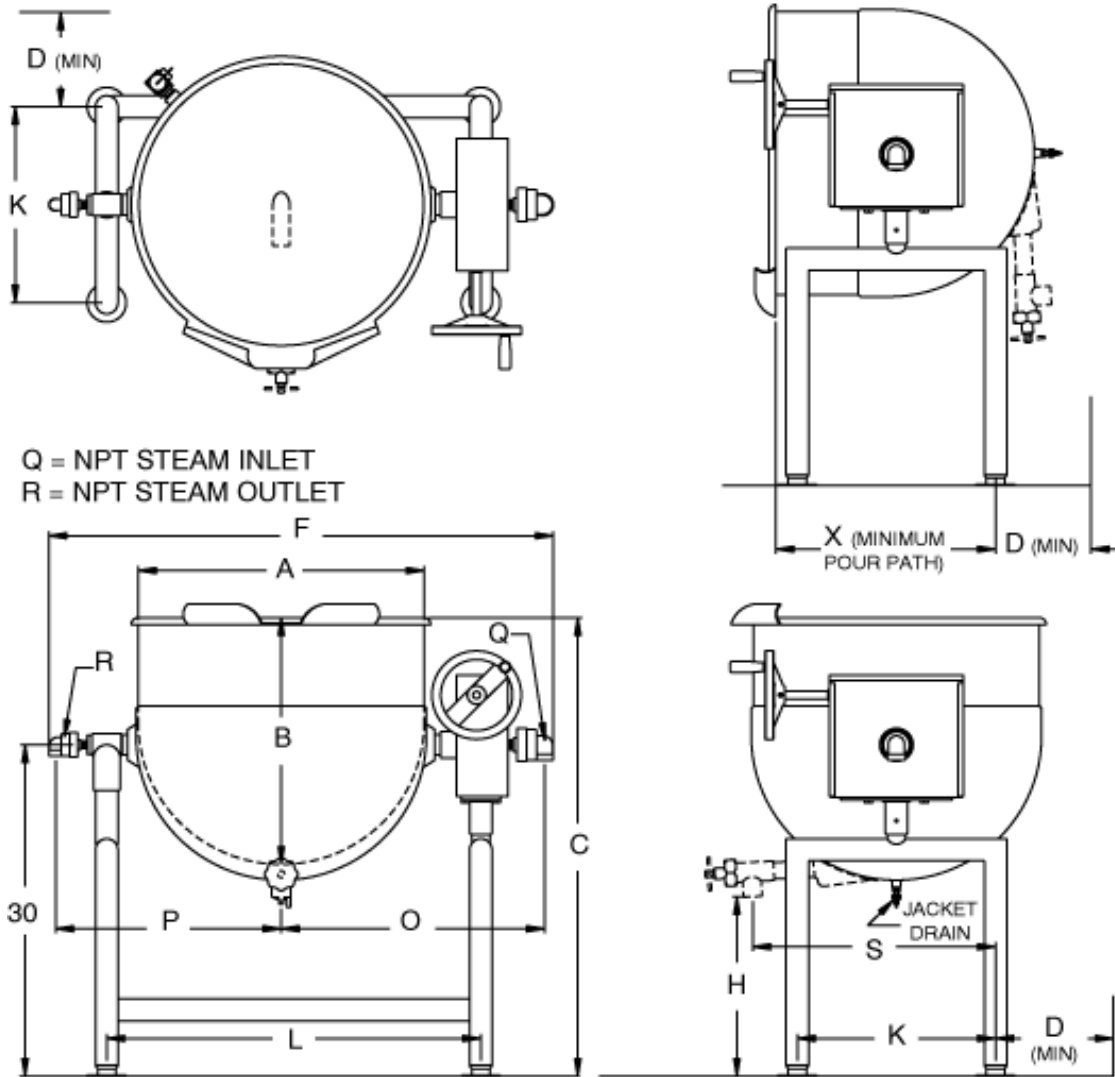
LEGION INDUSTRIES, INC. ♦ 69 MAIN ST. ♦ DALLAS, PA 18612 ♦ (800) 833-9803 ♦ (570) 675-1575 ♦ FAX: (570) 675-7551

MODEL TWU

2/3 JACKETED, TILTING
U-FRAME LEG
DEEP DRAWN CONSTRUCTION
MADE IN USA

DIRECT STEAM KETTLE

DRAWING REPRESENTS MODEL TWU-40 WITH OPTIONAL 1 1/2" DRAW-OFF



MODEL TWU DIMENSIONS

Gal.	A	B	C	D	F	H*	K	L	O	P	Q	R	S*	X
20	22.0	16.0	39.0	5.0	40.8	20.0	17.8	28.9	21.4	18.0	.75	.50	21.9	21.9
30	23.0	20.3	41.3	7.0	42.5	18.0	17.8	30.6	22.3	18.9	.75	.50	21.9	26.1
40	25.5	22.3	41.5	9.0	45.3	16.3	17.8	33.5	23.6	20.3	.75	.50	21.9	28.4
50	29.5	21.8	38.3	10.0	49.6	13.5	22.0	37.8	25.9	22.5	.75	.50	25.0	28.3
60	29.5	25.0	41.5	10.0	49.6	13.5	22.0	37.8	25.9	22.5	.75	.50	25.0	31.5
80	32.5	27.6	43.4	11.0	53.3	12.8	22.0	40.5	27.3	24.3	.75	.75	25.0	34.4
100	39.0	25.9	41.4	12.5	58.8	12.3	22.0	46.0	30.0	27.0	.75	.75	28.8	33.9

*Note: Dimensions H & S apply only if an optional 1 1/2" draw-off is ordered. If a 2" or 3" draw-off is required, contact Legion for applicable dimensions.

Revised 999



LEGION

The Finest American Quality Since 1897

LEGION INDUSTRIES, INC. ♦ 69 MAIN ST. ♦ DALLAS, PA 18612 ♦ (800) 833-9803 ♦ (570) 675-1575 ♦ FAX: (570) 675-7551