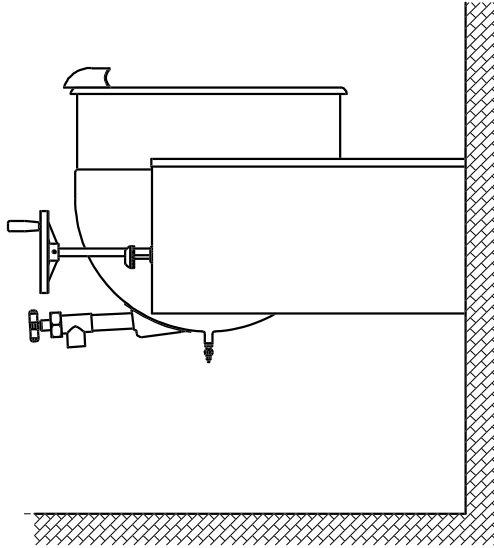


DIRECT STEAM KETTLE

2/3 JACKETED, TILTING
WALL-CONSOLE MOUNTED
DEEP DRAWN CONSTRUCTION
MADE IN USA

MODEL TWWC

STANDARD FEATURES



- ◆ 316 stainless liner
- ◆ 304 stainless kettle jacket
- ◆ 304 stainless, reinforced console boxes
- ◆ Self-locking worm gear tilt mechanism
- ◆ Connection plumbing parts installed in console with rear connection.
- ◆ 30 psi operating pressure

Model TWWC
shown with optional 1 1/2" draw-off

Legion equipment is built to comply with applicable standards for manufacturers. Approval agencies may include ASME, NSF, UL, ETL, AGA, CSA, CGA, and others. Legion reserves the right of design improvement or modification as warranted.

MODELS AND CAPACITIES			OPTIONAL FEATURES AND ACCESSORIES	
			See price list for supplemental information regarding options	
TWWC-20	20 gal.	(76 l.)	<input type="checkbox"/> Single or double fill faucet with bracket & 12 or 18" swing nozzle	<input type="checkbox"/> Measuring strip
TWWC-30	30 gal.	(114 l.)	<input type="checkbox"/> 48" flexible spray hose assembly (vinyl or stainless) for use with dual or single fill faucet	<input type="checkbox"/> Perforated disk strainer 1/8" or 1/4" holes
TWWC-40	40 gal.	(151 l.)	<input type="checkbox"/> Faucet bracket	<input type="checkbox"/> Kettle care kit
TWWC-50	50 gal.	(189 l.)	<input type="checkbox"/> Automatic water filling meter	<input type="checkbox"/> Mixer/Agitator, 2 speed
TWWC-60	60 gal.	(227 l.)	<i>(Call for information regarding additional faucet options)</i>	<input type="checkbox"/> In-wall carrier for wall mounting
TWWC-80	80 gal.	(303 l.)	<input type="checkbox"/> Single basket insert, 20 - 40 gallon	Prison/Security Options:
TWWC-100	100 gal.	(379 l.)	<input type="checkbox"/> Tri-basket insert	<input type="checkbox"/> Fastener (screws & nuts)
Select draw-off valve: <input type="checkbox"/> 1 1/2" <input type="checkbox"/> 2" <input type="checkbox"/> 3" With: <input type="checkbox"/> compression <input type="checkbox"/> ball type fitting See price list for other draw-off options.			<input type="checkbox"/> Nylon bag insert with spreader ring	<input type="checkbox"/> Nut driver tool
			<input type="checkbox"/> Lift-off cover	<input type="checkbox"/> Draw-off nut driver tool
			<input type="checkbox"/> 1 piece actuator-assisted cover	<input type="checkbox"/> Screw driver tool
			<input type="checkbox"/> Higher operating pressure	<input type="checkbox"/> Reinforced bar rim
			<input type="checkbox"/> Air eliminator valve	
			<input type="checkbox"/> Pressure reducing valve	

Revision 999



LEGION The Finest American Quality Since 1897

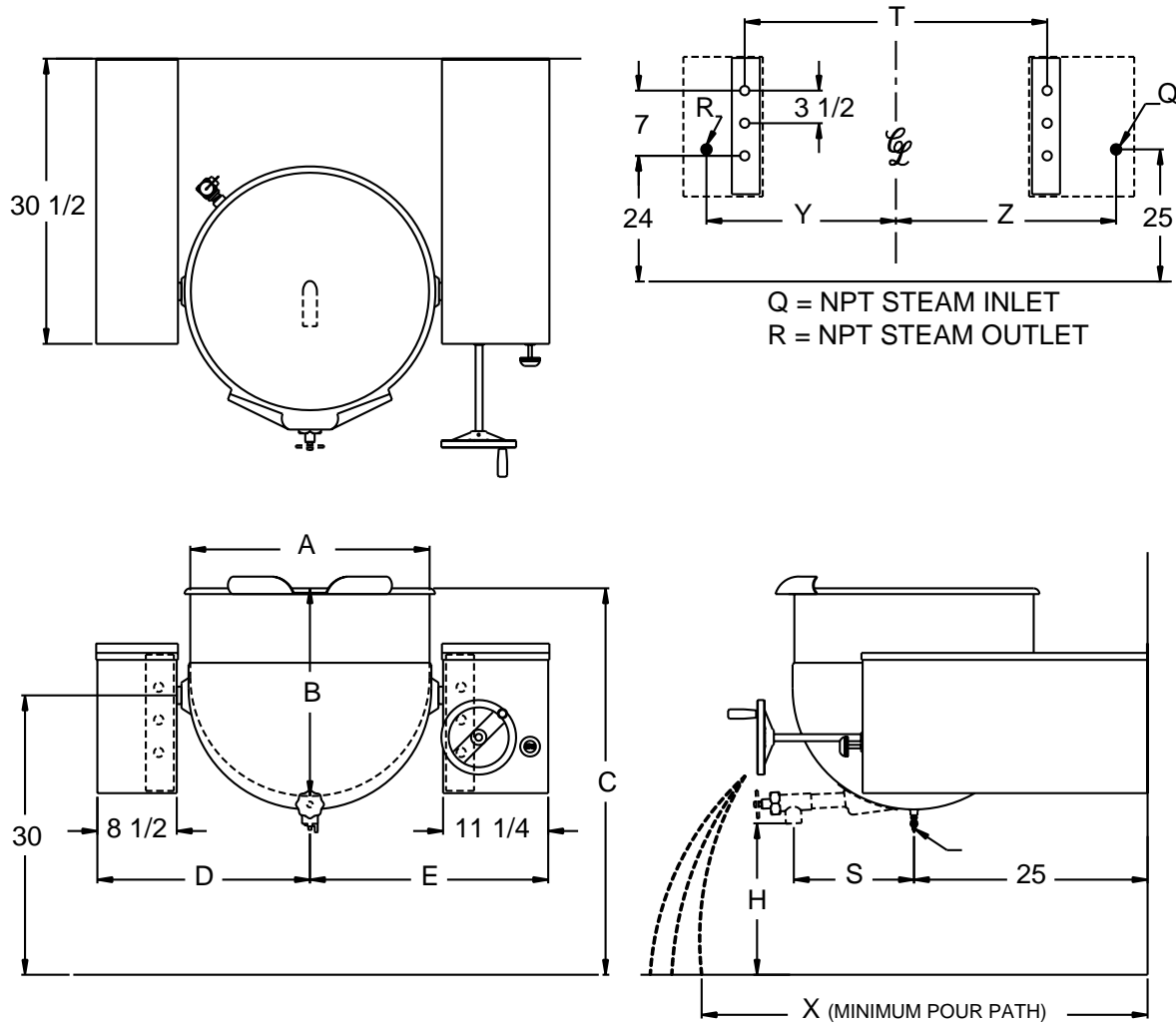
LEGION INDUSTRIES, INC. ♦ 69 MAIN ST. ♦ DALLAS, PA 18612 ♦ (800) 833-9803 ♦ (570) 675-1575 ♦ FAX: (570) 675-7551

MODEL TWWC

2/3 JACKETED, TILTING
WALL-CONSOLE MOUNTED
DEEP DRAWN CONSTRUCTION
MADE IN USA

DIRECT STEAM KETTLE

DRAWING REPRESENTS MODEL TWWC-40 WITH OPTIONAL 1 1/2" DRAW-OFF



MODEL TWWC DIMENSIONS

GAL.	A	B	C	D	E	H*	Q	R	S*	T	X	Y	Z
20	22.0	16.0	39.0	20.6	23.4	20.0	.75	.50	13.0	28.0	33.0	18.1	21.5
30	23.0	20.3	41.3	21.5	24.3	18.0	.75	.50	13.0	29.8	35.3	19.0	22.4
40	25.5	22.3	41.5	22.9	25.6	16.3	.75	.50	13.0	32.5	35.5	20.4	23.8
50	29.5	21.8	38.3	25.1	27.9	13.5	.75	.50	14.0	36.9	32.3	22.6	26.0
60	29.5	25.0	41.5	25.1	27.9	13.5	.75	.50	14.0	36.9	35.5	22.6	26.0
80	32.5	27.6	43.4	26.5	29.3	12.8	.75	.75	14.0	39.6	37.4	24.3	27.4
100	39.0	25.9	41.3	28.9	31.9	12.4	.75	.75	17.8	44.5	35.4	27.0	29.8

*Dimensions H & S apply only if an optional 1 1/2" draw-off is ordered. If a 2" or 3" draw-off is required, contact Legion for applicable dimensions.

Revision 999



LEGION The Finest American Quality Since 1897

LEGION INDUSTRIES, INC. ♦ 69 MAIN ST. ♦ DALLAS, PA 18612 ♦ (800) 833-9803 ♦ (570) 675-1575 ♦ FAX: (570) 675-7551