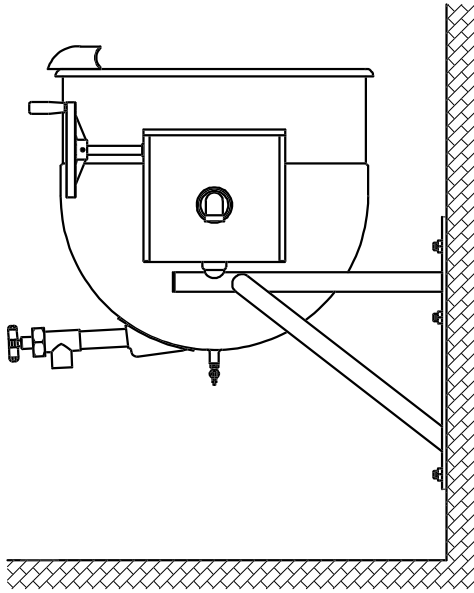


DIRECT STEAM KETTLE

2/3 JACKETED, TILTING
WALL-BRACKET MOUNTED
DEEP DRAWN CONSTRUCTION
MADE IN USA

MODEL TWWT

STANDARD FEATURES



- ◆ 316 stainless liner
- ◆ 304 stainless kettle jacket
- ◆ 304 stainless, reinforced gear box
- ◆ 304 stainless support arms, seam welded to jacket
- ◆ Self-locking worm gear tilt mechanism
- ◆ 30 psi operating pressure

Model TWWT
shown with optional 1 1/2" draw-off

Legion equipment is built to comply with applicable standards for manufacturers. Approval agencies may include ASME, NSF, UL, ETL, AGA, CSA, CGA, and others. Legion reserves the right of design improvement or modification as warranted.

MODELS AND CAPACITIES			OPTIONAL FEATURES AND ACCESSORIES	
			See price list for supplemental information regarding options	
TWWT-20	20 gal.	(76 l.)	<input type="checkbox"/> Single or double fill faucet with bracket & 12 or 18" swing nozzle	<input type="checkbox"/> Connection plumbing parts kit
TWWT-30	30 gal.	(114 l.)	<input type="checkbox"/> 48" flexible spray hose assembly (vinyl or stainless) for use with dual or single fill faucet	<input type="checkbox"/> Measuring strip
TWWT-40	40 gal.	(151 l.)	<input type="checkbox"/> Faucet bracket	<input type="checkbox"/> Perforated disk strainer 1/8" or 1/4" holes
TWWT-50	50 gal.	(189 l.)	<input type="checkbox"/> Automatic water filling meter	<input type="checkbox"/> Kettle care kit
TWWT-60	60 gal.	(227 l.)	<i>(Call for information regarding additional faucet options)</i>	<input type="checkbox"/> Mixer/Agitator, 2 speed
TWWT-80	80 gal.	(303 l.)	<input type="checkbox"/> Single basket insert, 20 - 40 gallon	<input type="checkbox"/> In-wall carrier for wall mounting
TWWT-100	100 gal.	(379 l.)	<input type="checkbox"/> Tri-basket insert	
Select draw-off valve: <input type="checkbox"/> 1 1/2" <input type="checkbox"/> 2" <input type="checkbox"/> 3" With: <input type="checkbox"/> compression <input type="checkbox"/> ball type fitting See price list for other draw-off options.			<input type="checkbox"/> Nylon bag insert with spreader ring	
			<input type="checkbox"/> Lift-off cover	
			<input type="checkbox"/> 1 piece actuator-assisted cover	
			<input type="checkbox"/> Higher operating pressure	
			<input type="checkbox"/> Air eliminator valve	
			<input type="checkbox"/> Pressure reducing valve	Prison/Security Options:
			<input type="checkbox"/> Draw-off drain hose	<input type="checkbox"/> Fastener (screws & nuts)
			<input type="checkbox"/> Pour lip pan holder assembly	<input type="checkbox"/> Nut driver tool
				<input type="checkbox"/> Draw-off nut driver tool
				<input type="checkbox"/> Screw driver tool
				<input type="checkbox"/> Reinforced bar rim

Revision 999



LEGION The Finest American Quality Since 1897

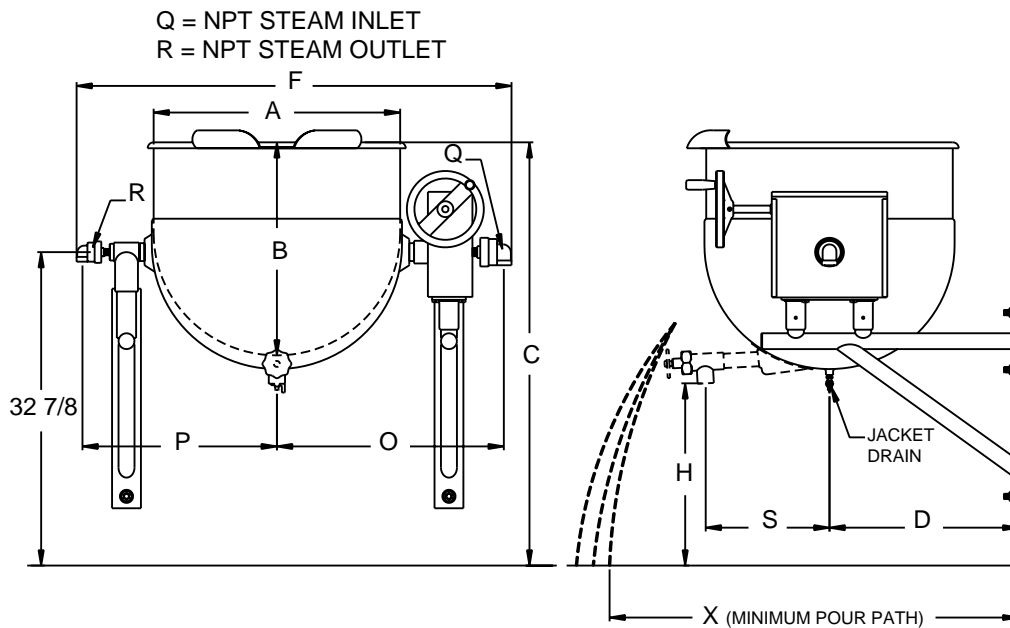
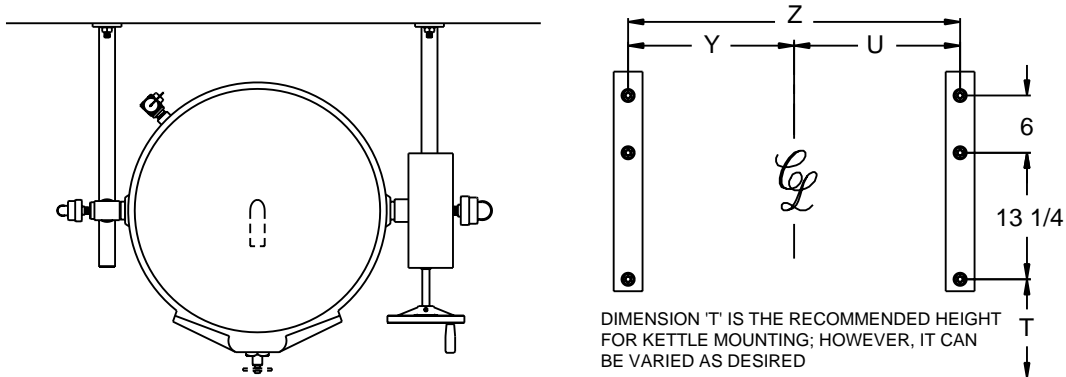
LEGION INDUSTRIES, INC. ♦ 69 MAIN ST. ♦ DALLAS, PA 18612 ♦ (800) 833-9803 ♦ (570) 675-1575 ♦ FAX: (570) 675-7551

MODEL TWWT

2/3 JACKETED, TILTING WALL-BRACKET MOUNTED
DEEP DRAW CONSTRUCTION
MADE IN USA

DIRECT STEAM KETTLE

DRAWING REPRESENTS MODEL TWWT-40 WITH OPTIONAL 1 1/2 DRAW-OFF



MODEL TWWT DIMENSIONS

GAL.	A	B	C*	D	F	H*	O	P	Q	R	S*	T	U	X	Y	Z
20	22.0	16.0	41.9	14.6	40.8	22.9	21.4	18.0	.75	.50	13.0	7.3	15.5	22.6	13.4	29.9
30	23.0	20.3	44.1	14.6	42.5	20.9	22.3	18.9	.75	.50	13.0	7.3	16.4	24.8	14.3	30.6
40	25.5	22.3	44.4	19.6	45.3	19.1	23.6	20.3	.75	.50	13.0	7.3	17.9	30.1	15.6	33.5
50	29.5	21.8	41.1	19.6	49.6	16.4	25.9	22.5	.75	.50	14.0	7.3	20.0	26.9	17.8	37.8
60	29.5	25.0	44.4	19.6	49.6	16.4	25.9	22.5	.75	.50	14.0	7.3	20.0	30.1	17.8	37.8
80	32.5	27.6	46.3	19.6	53.3	15.6	27.3	24.3	.75	.75	14.0	7.3	21.3	32.0	19.2	40.5
100	39.0	25.9	44.3	25.1	58.8	15.1	30.0	27.0	.75	.75	17.8	7.3	24.1	35.4	21.9	46.0

*Dimensions H & S apply only if an optional 1 1/2" draw-off is ordered. If a 2" or 3" draw-off is required, contact Legion for applicable dimensions.

Revision 999



LEGION The Finest American Quality Since 1897

LEGION INDUSTRIES, INC. ♦ 69 MAIN ST. ♦ DALLAS, PA 18612 ♦ (800) 833-9803 ♦ (570) 675-1575 ♦ FAX: (570) 675-7551