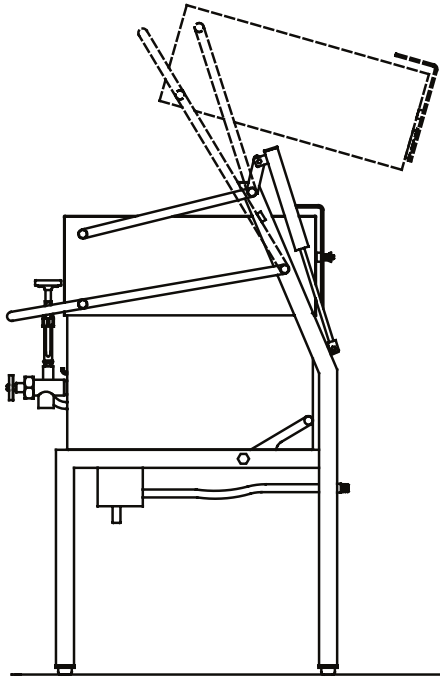


MULTI-FUNCTIONAL COOKERS

DIRECT STEAM, 10° TILTING PAN
LOWER PROFILE LID
INSULATED FOR SAFETY™
MADE IN USA

SKITTLE® MODEL DSKL

STANDARD FEATURES



Model DSKL6-9

- ◆ 316L stainless food contact zone with:
 - ◇ 316 stainless 1 ½" compression draw-off
- ◆ 304 stainless seam welded pan body with:
 - ◇ 10° tilting pan, 31" working height
 - ◇ Insulated sides and bottom
 - ◇ Tapered access rim
 - ◇ Steam control (1" ball valve)
- ◆ Maximum operating pressure 125 psi (353°F)
- ◆ Safety valve, 125 psi
- ◆ Patented 304 stainless seam welded Capsule Lid with:
 - ◇ Variable position, actuator-assisted opening
 - ◇ Insulated sides & top
 - ◇ Adjustable steam vent
 - ◇ 304 stainless safety handle
 - ◇ "L" Lid condensate containment
- ◆ Cassette rack(s) for 12x20 food pans
- ◆ 304 stainless, seam welded component enclosure
- ◆ 304 stainless, seam welded tubular frame construction
- ◆ Single ball valve with 48" s/s flexible spray hose assembly
- ◆ Adjustable flanged feet

Legion equipment is built to comply with applicable standards for manufacturers. Approval agencies may include ASME, NSF, UL, ETL, AGA, CSA, CGA, and others. Legion reserves the right of design improvement or modification as warranted. U.S. Patent Nos. 5,553,531, 5,964,145 & Des. 371,715.

MODELS AND CAPACITIES							OPTIONAL FEATURES AND ACCESSORIES	
Model*	2.5" Insert Pans	Cooking Baskets	Griddle Area (in. ²)	Kettle (Gals.)	Fryin-g Oil (lbs.)	Oven Volume (ft. ³)	See price list for supplemental information regarding options	
DSKL6-5	6	4	703	15.2	70	5.6	Select draw-off valve: <input type="checkbox"/> 1½" <input type="checkbox"/> 2" <input type="checkbox"/> 3" with: <input type="checkbox"/> compression or <input type="checkbox"/> ball type fitting	
DSKL6-7	6	6	703	21.3	70	6.4	<input type="checkbox"/> Single ball valve mounted to frame with 48" vinyl flexible spray hose assembly <input type="checkbox"/> Dual fill faucet & bracket with 48" s/s flexible spray hose assembly <input type="checkbox"/> Dual fill faucet & bracket with 48" vinyl flexible spray hose assembly <input type="checkbox"/> Automatic water filling meter <i>(Call for information regarding additional faucet options)</i> <input type="checkbox"/> Knockdown capability for 26"x66" opening <i>(shipped assembled)</i> <input type="checkbox"/> Draw-off drain spout <input type="checkbox"/> Draw-off strainer <input type="checkbox"/> Draw-off drain hose <input type="checkbox"/> #10 can holder for draw-off	<input type="checkbox"/> Flat bottom scoop <input type="checkbox"/> Fry scoop <input type="checkbox"/> Perforated or solid 12x20 food pans 2½, 4, or 6" deep <input type="checkbox"/> Perforated cooking/steaming basket (11 x 20½ x 5) <input type="checkbox"/> Skittle care kit Prison/Security Options: <input type="checkbox"/> Fasteners <i>(screws & nuts)</i> <input type="checkbox"/> Nut driver tool <input type="checkbox"/> Screw driver tool <input type="checkbox"/> Draw-off nut driver tool <input type="checkbox"/> Lockable control cover <input type="checkbox"/> Draw-off protection
DSKL6-9	6	6	703	27.4	70	7.3		
DSKL6-11	6	6	703	33.5	70	8.2		
DSKL9-5	9	6	1029	22.3	105	8.2		
DSKL9-7	9	9	1029	31.2	105	9.4		
DSKL9-9	9	9	1029	40.1	105	10.6		
DSKL9-9	9	9	1029	49.0	105	11.8		
*DSKL5-() information available on request								

Revision 201



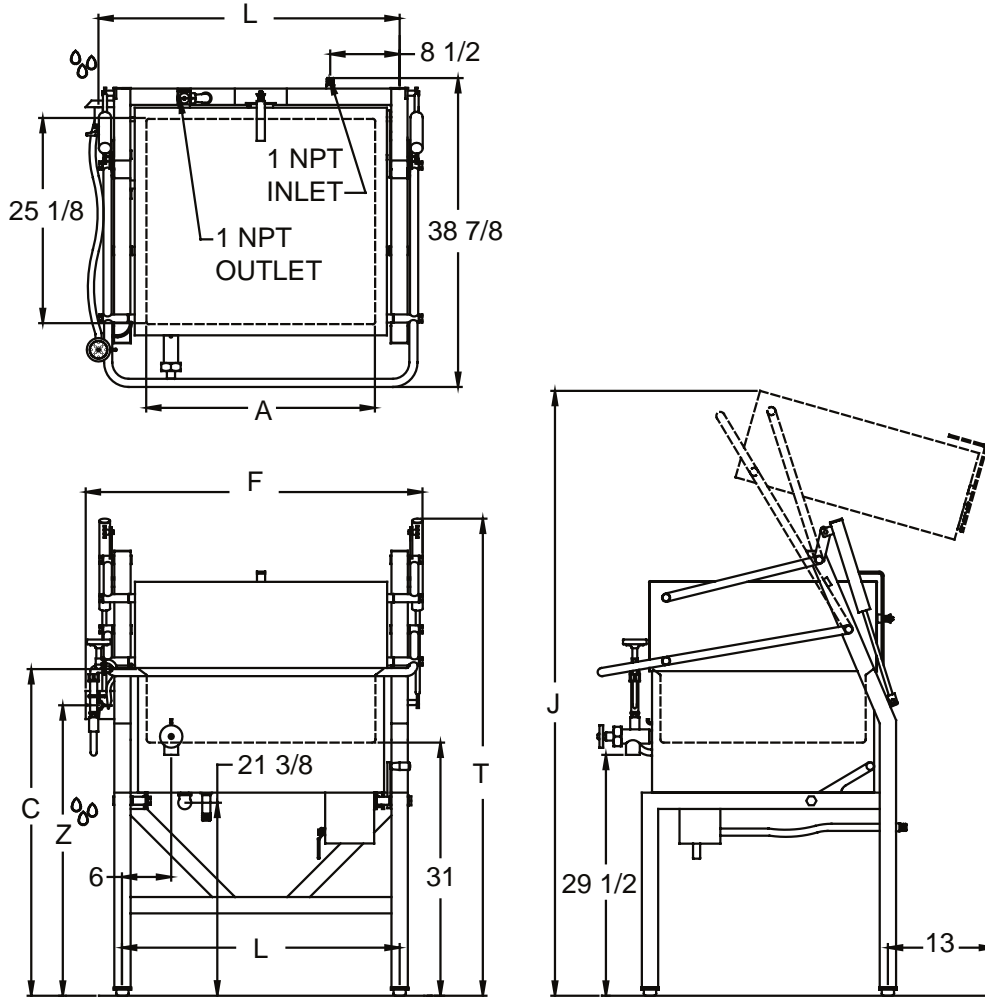
LEGION LEGION INDUSTRIES, INC. ♦ P.O. BOX F ♦ DALLAS, PA ♦ 18612
(800) 833-9803 ♦ (570) 675-1595 ♦ Fax: (570) 675-7551 ♦ www.legionindustries.com

SKITTLE® MODEL DSKL

DIRECT STEAM, 10° TILTING PAN
LOWER PROFILE LID
INSULATED FOR SAFETY™
MADE IN USA

MULTI-FUNCTIONAL COOKERS

DRAWING REPRESENTS MODEL DSKL6-9 WITH STANDARD 1 1/2" DRAW-OFF



SKITTLE® DIMENSIONS

Model*	A	F	L	Model*	A	F	L	Depth	C	J	T	Z
DSKL6-5	28.0	41.3	34.0	DSKL9-5	41.0	54.3	47.0	5	36.0	70.3	53.3	31.5
DSKL6-7	28.0	41.3	34.0	DSKL9-7	41.0	54.3	47.0	7	38.0	72.3	55.3	33.5
DSKL6-9	28.0	41.3	34.0	DSKL9-9	41.0	54.3	47.0	9	40.0	74.3	57.3	35.5
DSKL6-11**	28.0	41.3	34.0	DSKL9-11**	41.0	54.3	47.0	11	42.0	76.3	59.3	37.5

*Dimensions on these drawings are applicable only when using a 1.5" diameter draw-off valve. If a 2" or 3" diameter draw-off valve is required, contact Legion for applicable dimensions.

*DSKL5-() information available on request

**Note: Vertical dimensions of 11" deep pan may be reduced by 2" to match 9" deep pan with shorter legs

Revision 201



LEGION LEGION INDUSTRIES, INC. ♦ P.O. BOX F ♦ DALLAS, PA ♦ 18612
(800) 833-9803 ♦ (570) 675-1595 ♦ Fax: (570) 675-7551 ♦ www.legionindustries.com