

Tilting Skillets

**Electric, Manual Tilting
Floor Mounted
Made in USA**

Classic Model TES

Standard Features



**Model TES-2440-9
with optional 1.5" draw-off valve**

- ◆ 304 stainless seam welded pan with:
 - ◇ Center trunnion mounted
 - ◇ Self-locking worm gear tilt mechanism
 - ◇ Rotation exceeds 90°
 - ◇ 304 stainless clad cooking surface
 - ◇ 240V, three phase (3φ) standard
- ◆ Adjustable thermostat (175°F to 400°F)
- ◆ High limit safety thermostat
- ◆ Patented 304 stainless safety lid, seam welded with:
 - ◇ Actuator-assisted counterbalance
 - ◇ Full width condensate drip shield
 - ◇ Full width rear steam vent
 - ◇ Single side-mounted safety handles
- ◆ 304 stainless, reinforced, water-resistant control console
- ◆ 304 stainless tubular frame construction
- ◆ Knockdown capability to fit through 26" x 66" opening
- ◆ Adjustable bullet feet

Legion equipment is built to comply with applicable standards for manufacturers. Approval agencies may include ASME, NSF, UL, ETL, AGA, CSA, CGA and others. Legion reserves the right of design improvement or modification as warranted.

Models and Capacities

Model	2.5" Insert Pans	Cooking Baskets	Griddle Area (in. ²)	Kettle (Gals.)	Oven Volume (ft. ³)
TES-2424-7	1	1	628	19	2.5
TES-2424-9	1	1	628	24	3.3
TES-2424-11	1	1	628	30	4.0
TES-2430-7	2	2	778	23	3.2
TES-2430-9	2	2	778	30	4.1
TES-2430-11	2	2	778	37	5.0
TES-2440-7	3	3	1029	31	4.2
TES-2440-9	3	3	1029	40	5.4
TES-2440-11	3	3	1029	49	6.6

Optional Features and Accessories

See price list for supplemental information regarding options

Faucet Options:

- _ Faucet bracket mounted on unit
 - _ Single or dual faucet with bracket & 12" or 18" swing nozzle
 - _ 48" flexible spray hose assembly (vinyl or stainless) for dual or single faucet
 - _ Automatic water filling meter
- (Call for information regarding additional faucet options)*

Prison/Security Options:

- _ Fasteners (screws & nuts)
- _ Nut driver tool
- _ Screw driver tool
- _ Lockable control cover
- _ Lockable lid

Feet:

- _ Casters (2 each locking/nonlocking type) & restraining devices
- _ Adjustable flanged feet

Other Options:

- _ Electric timer with buzzer
- _ In wall carrier for wall mounting

Accessories:

- _ #10 Can holder for draw-off
- _ Perforated or solid 12 x 20 pans, 2½, 4 or 6"
- _ Perforated cooking/steaming basket (11" x 20½" x 5")
- _ Draw-off drain with 6' hose
- _ Perforated draw-off strainer, ¼" holes
- _ Flat bottom scoop
- _ Pour lip strainer
- _ Stationary side frame and tray
- _ Pour lip pan holder assembly
- _ Draw-off pan holder assembly
- _ Care kit
- _ 3 part tool for cleaning cooking surface

Select draw-off valve: 1.5" 2" 3"

With: compression ball type fitting

See price list for other draw-off options.

Select Voltage: 208V 240V 380V 415V 440V 480V

Select Phase: 1φ 3φ

Revision 1102

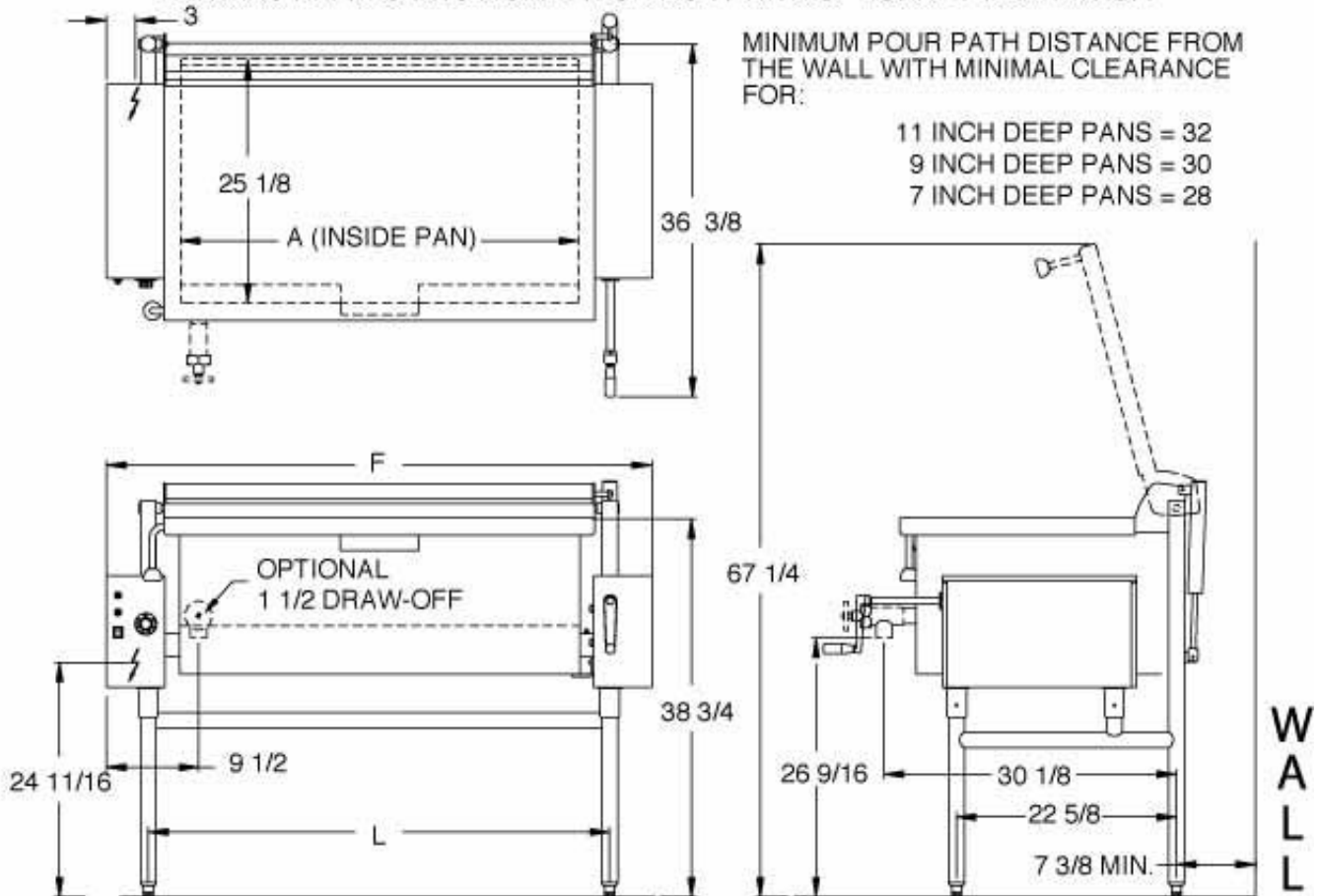
**Legion Industries, Inc., Post Office Box F, Dallas, PA 18612, (800) 833-9803, (570) 675-1595,
Fax: (570) 675-7551, www.legionindustries.com, sales@legionindustries.com**

Classic Model TES

Electric, Manual Tilting
Floor Mounted
Made in USA

Tilting Skillets

DRAWING REPRESENTS MODEL TES-2440-11 WITH OPTIONAL 1 1/2 DRAW-OFF



CLASSIC MODEL TES DIMENSIONS

Model	Depth	A	F	L	Model	Depth	A	F	L	Model	Depth	A	F	L
TES-2424-7	7	25.0	40.1	31.5	TES-2430-7	7	31.0	46.1	37.5	TES-2440-7	7	41.0	56.1	47.5
TES-2424-9	9	25.0	40.1	31.5	TES-2430-9	9	31.0	46.1	37.5	TES-2440-9	9	41.0	56.1	47.5
TES-2424-11	11	25.0	40.1	31.5	TES-2430-11	11	31.0	46.1	37.5	TES-2440-11	11	41.0	56.1	47.5

CLASSIC MODEL TES ELECTRICAL SPECIFICATIONS (Amperes per Leg)

Model	kW	208 Volt		240 Volt		380 Volt		415 Volt		440 Volt		480 Volt	
		1φ	3φ	1φ	3φ	1φ	3φ	1φ	3φ	1φ	3φ	1φ	3φ
TES-2424-()	10.6	51.0	29.4	44.2	25.5	27.9	16.1	25.5	14.7	24.1	13.9	22.1	12.8
TES-2430-()	11.1	53.4	30.8	46.3	26.7	29.2	16.9	26.7	15.4	25.2	14.6	23.1	13.4
TES-2440-()	15.0	72.1	41.6	62.5	36.1	39.5	22.8	36.1	20.9	34.1	19.7	31.3	18.0

Revision 1102

Legion Industries, Inc., Post Office Box F, Dallas, PA 18612, (800) 833-9803, (570) 675-1595,
Fax: (570) 675-7551, www.legionindustries.com, sales@legionindustries.com