

Tilting Skillets

**Gas-Fired, Manual Tilting
Floor Mounted
Made in USA**

Classic Model TGSE

Standard Features



**Model TGSE-2440-9
shown with optional 1.5" draw-off valve
and dual faucet with swing nozzle**

- ◆ 304 stainless seam welded pan with:
 - ◇ Center trunnion mounted
 - ◇ Self-locking worm gear tilt mechanism
 - ◇ Rotation exceeds 90°
 - ◇ 304 stainless clad cooking surface
 - ◇ Electronic direct spark ignition
 - ◇ 120V, single phase (1ϕ) standard
- ◆ Adjustable thermostat (175°F to 400°F)
- ◆ High limit safety thermostat
- ◆ Patented 304 stainless safety lid, seam welded with:
 - ◇ Actuator-assisted counterbalance
 - ◇ Full width condensate drip shield
 - ◇ Full width rear steam vent
 - ◇ Single side-mounted safety handles
- ◆ 304 stainless, reinforced, water-resistant control console
- ◆ 304 stainless tubular frame construction
- ◆ Knockdown capability to fit through 26" x 66" opening
- ◆ Adjustable bullet feet

Legion equipment is built to comply with applicable standards for manufacturers. Approval agencies may include ASME, NSF, UL, ETL, AGA, CSA, CGA and others. Legion reserves the right of design improvement or modification as warranted.

Models and Capacities

| Model | 2.5" Insert Pans | Cooking Baskets | Griddle Area (in. ²) | Kettle (Gals.) | Oven Volume (ft. ³) |
|--------------|------------------|-----------------|----------------------------------|----------------|---------------------------------|
| TGSE-2430-7 | 2 | 2 | 778 | 23 | 3.2 |
| TGSE-2430-9 | 2 | 2 | 778 | 30 | 4.1 |
| TGSE-2430-11 | 2 | 2 | 778 | 37 | 5.0 |
| TGSE-2440-7 | 3 | 3 | 1029 | 31 | 4.2 |
| TGSE-2440-9 | 3 | 3 | 1029 | 40 | 5.4 |
| TGSE-2440-11 | 3 | 3 | 1029 | 49 | 6.6 |

Select draw-off valve: 1.5" 2" 3"

With: compression ball type fitting

See price list for other draw-off options.

Select Voltage: 120V 208V 240V
(120V supplied with plug, 208 & 240V connect directly to junction box)

Select Gas: Natural LP Other

Revision 1102

Optional Features and Accessories

See price list for supplemental information regarding options

Faucet Options:

- Faucet bracket mounted on unit
 - Single or dual faucet with bracket & 12" or 18" swing nozzle
 - .48" flexible spray hose assembly (vinyl or stainless) for dual or single faucet
 - Automatic water filling meter
- (Call for information regarding additional faucet options)*

Prison/Security Options:

- Fasteners (screws & nuts)
- Nut driver tool
- Screw driver tool
- Lockable control cover
- Lockable lid

Feet:

- Casters (2 each locking/nonlocking type) & restraining devices
- Adjustable flanged feet
- Restraining device kit
- Gas quick disconnect 1/2"
- Flexible gas hose 1/2" x 60"

Other Options:

- Electric timer with buzzer
- In wall carrier for wall mounting

Accessories:

- #10 Can holder for draw-off
- Draw-off drain with 6' hose
- Flat bottom scoop
- Perforated draw-off strainer, 1/4" holes
- Pour lip strainer
- Perforated cooking/steaming basket (11" x 20 1/2" x 5")
- Perforated or solid 12 x 20 pans, 2 1/2, 4 or 6"
- Stationary side frame and tray
- Pour lip pan holder assembly
- Draw-off pan holder assembly
- Care kit
- 3 part tool for cleaning cooking surface

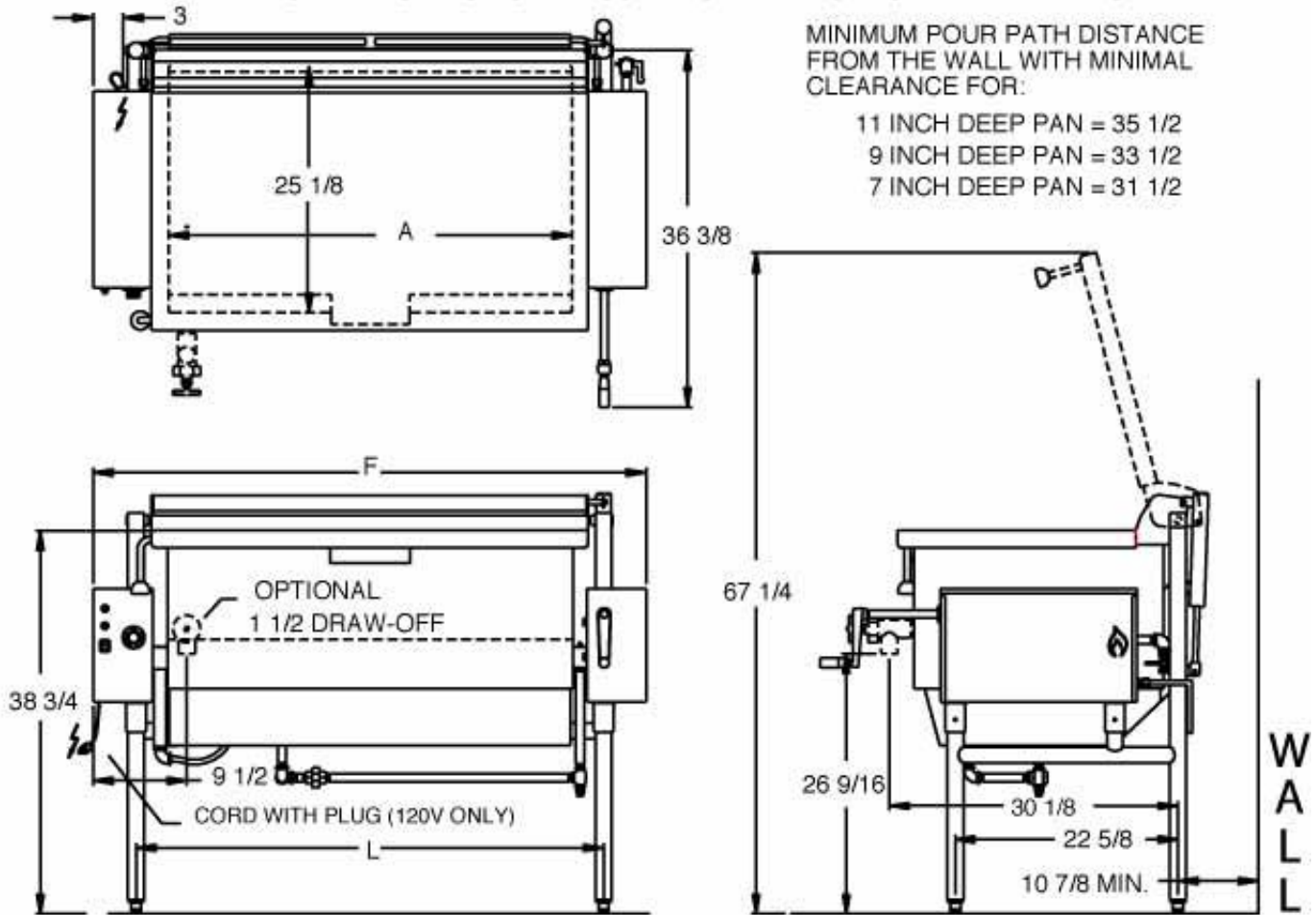
**Legion Industries, Inc., Post Office Box F, Dallas, PA 18612, (800) 833-9803, (570) 675-1595,
Fax: (570) 675-7551, www.legionindustries.com, sales@legionindustries.com**

Classic Model TGSE

Gas-Fired, Manual Tilting
Floor Mounted
Made in USA

Tilting Skillets

DRAWING REPRESENTS MODEL TGSE-2440-11 WITH OPTIONAL 1 1/2 DRAW-OFF



MINIMUM POUR PATH DISTANCE
FROM THE WALL WITH MINIMAL
CLEARANCE FOR:

- 11 INCH DEEP PAN = 35 1/2
- 9 INCH DEEP PAN = 33 1/2
- 7 INCH DEEP PAN = 31 1/2

| CLASSIC™ MODEL TGSE DIMENSIONS | | | | | | | | | |
|--------------------------------|-------|------|------|------|--------------|-------|------|------|------|
| Model | Depth | A | F | L | Model | Depth | A | F | L |
| TGSE-2430-7 | 7 | 31.0 | 46.1 | 37.5 | TGSE-2440-7 | 7 | 41.0 | 56.1 | 47.5 |
| TGSE-2430-9 | 9 | 31.0 | 46.1 | 37.5 | TGSE-2440-9 | 9 | 41.0 | 56.1 | 47.5 |
| TGSE-2430-11 | 11 | 31.0 | 46.1 | 37.5 | TGSE-2440-11 | 11 | 41.0 | 56.1 | 47.5 |

| CLASSIC™ MODEL TGSE GAS SPECIFICATIONS | | | | |
|--|------------------------|---------|--|--|
| Model* | Gas Rating - Btu Input | | Gas Pressure & Piping Specifications | |
| | Natural | Propane | Natural | Propane |
| TGSE-2430-() | 90,000 | 75,000 | Piping - 1/2" IPS Inlet Pressure Range, 5.0 - 7.0 inches w.c. | Piping - 1/2" IPS Inlet Pressure Range, 12.0 - 14.0 inches w.c. |
| TGSE-2440-() | 120,000 | 100,000 | Outlet Pressure Setting, 3.5 inches w.c. | Outlet Pressure Setting, 10.0 inches w.c. |

U.S. Patent Nos. 5,553,531, 5,865,101, 5,964,145

Revision 1102

**Legion Industries, Inc., Post Office Box F, Dallas, PA 18612, (800) 833-9803, (570) 675-1595,
Fax: (570) 675-7551, www.legionindustries.com, sales@legionindustries.com**